

SMART RENTAL FRAME - VIDEOWALL



TABLE OF CONTENTS

SAFETY PRECAUTIONS	3
PARTS	4
FLOOR ARRANGEMENT	6
TRUSS ARRANGEMENT (FLY)	13
TRUSS ARRANGEMENT (FLOOR)	18
TÜV REGULATION	24
WALL ARRANGEMENT	25
LCD SCREEN ASSEMBLY	28
CONTACT	34

MOUNTING INSTRUCTIONS

SAFETY PRECAUTIONS

OBEDI THE FOLLOWING SAFETY PRECAUTIONS DURING ASSEMBLY, USAGE AND DISMANTLING:

- Use steel toe shoes, gloves and a construction helmet during (dis)assembly.
- Make sure that the room during (dis)assembly is clean, free of obstacles, adequately lit and not accessible to unauthorized people.
- Make sure the ground is level, stable and hard.
- Use floor frames 082.5010 (55 inch) or 082.5110 (46 inch) in combination with coupling frames 082.5020 (55 inch) or 082.5120 (46 inch) in an enclosed space where the wind speed is not more than 3m/s (equivalent to 2bft).
- At higher wind speeds (incidentally max 23m/s, 9Bft) the enlarged floor frame 082.5010-0001 (55 inches) or 082.5110-0001 (46 inches) must be used in combination with coupling frames 082.5020-0001 or -0002 (55 inch) or 082.5120-0001 or 082.5120-0002 (46 inches). The structure must be stiffened with a truss X30 with an equal height as the frame and used with sufficient weight. See also the installation instructions.
- The arrangement must NOT exceed 5 bracket frames in height for a landscape arrangement, 3 bracket frames in height for a portrait arrangement and the arrangement must have in all cases at least two frame brackets in width.
- Make sure that unauthorized people cannot get behind a Smart Rental Frame arrangement and cannot climb into it.
- Make sure that, with a Smart Rental Frame hanging arrangement, no one can touch the construction.

FOR TÜV REGULATION – SEE PAGE 24

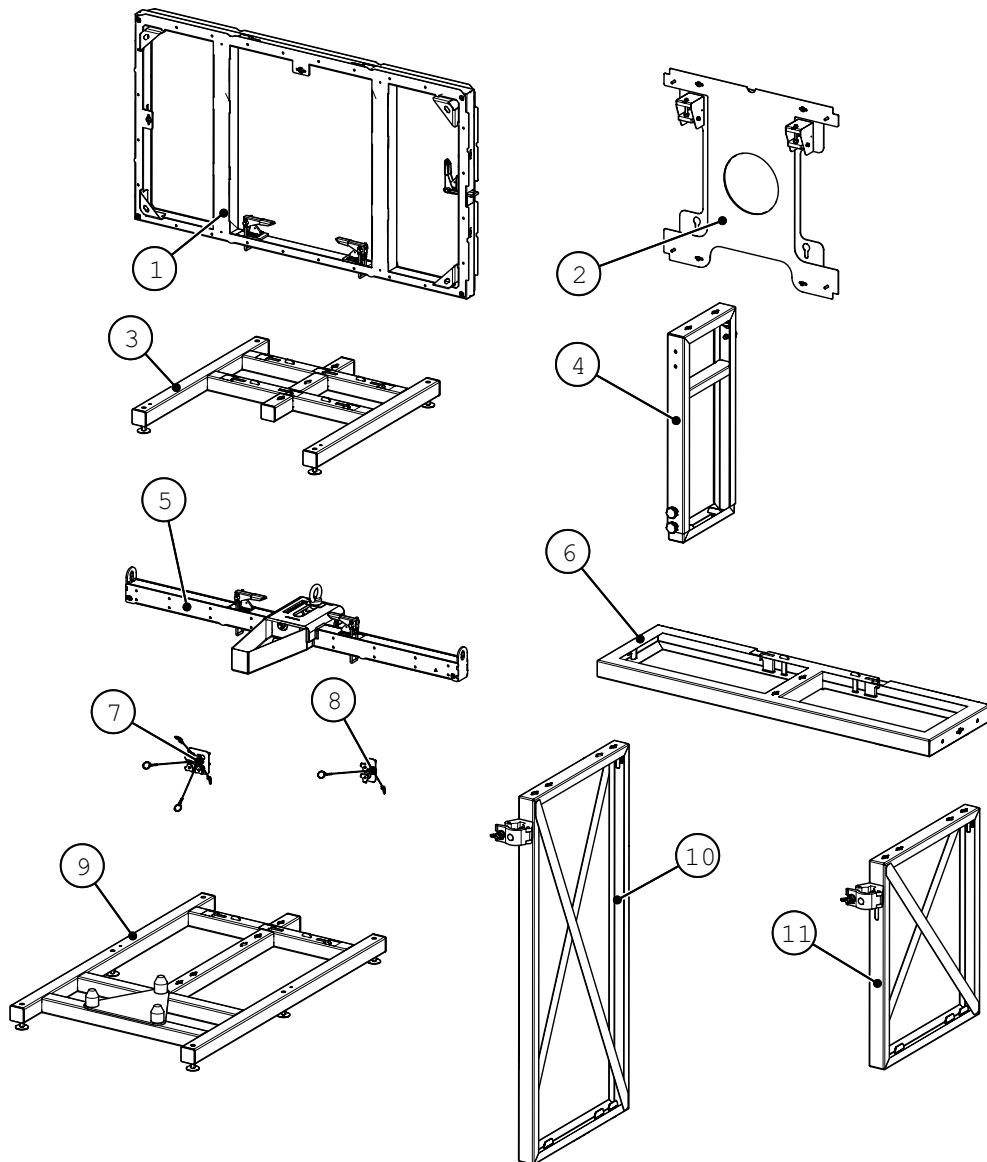


CAUTION:

For safety reasons, it is important to not forget the mounting step if this sign is shown.

MOUNTING INSTRUCTIONS

PARTS



POS: Part Number

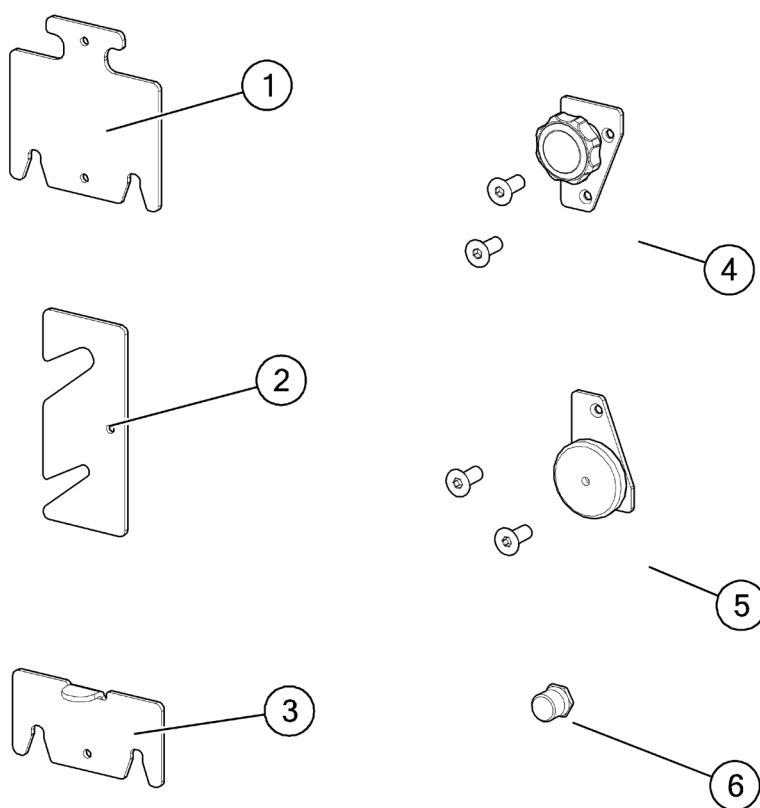
1	082.5130 & 052.5030
2	082.5140-0401, 082-5040-1301 & 082.5040-3101
3	082.5110 & 052.5010
4	082.5120 & 052.5020

POS: Part Number

5	082.5180 & 052.5080
6	082.5190 & 052.5090
7	082.5050
8	082.5055

MOUNTING INSTRUCTIONS

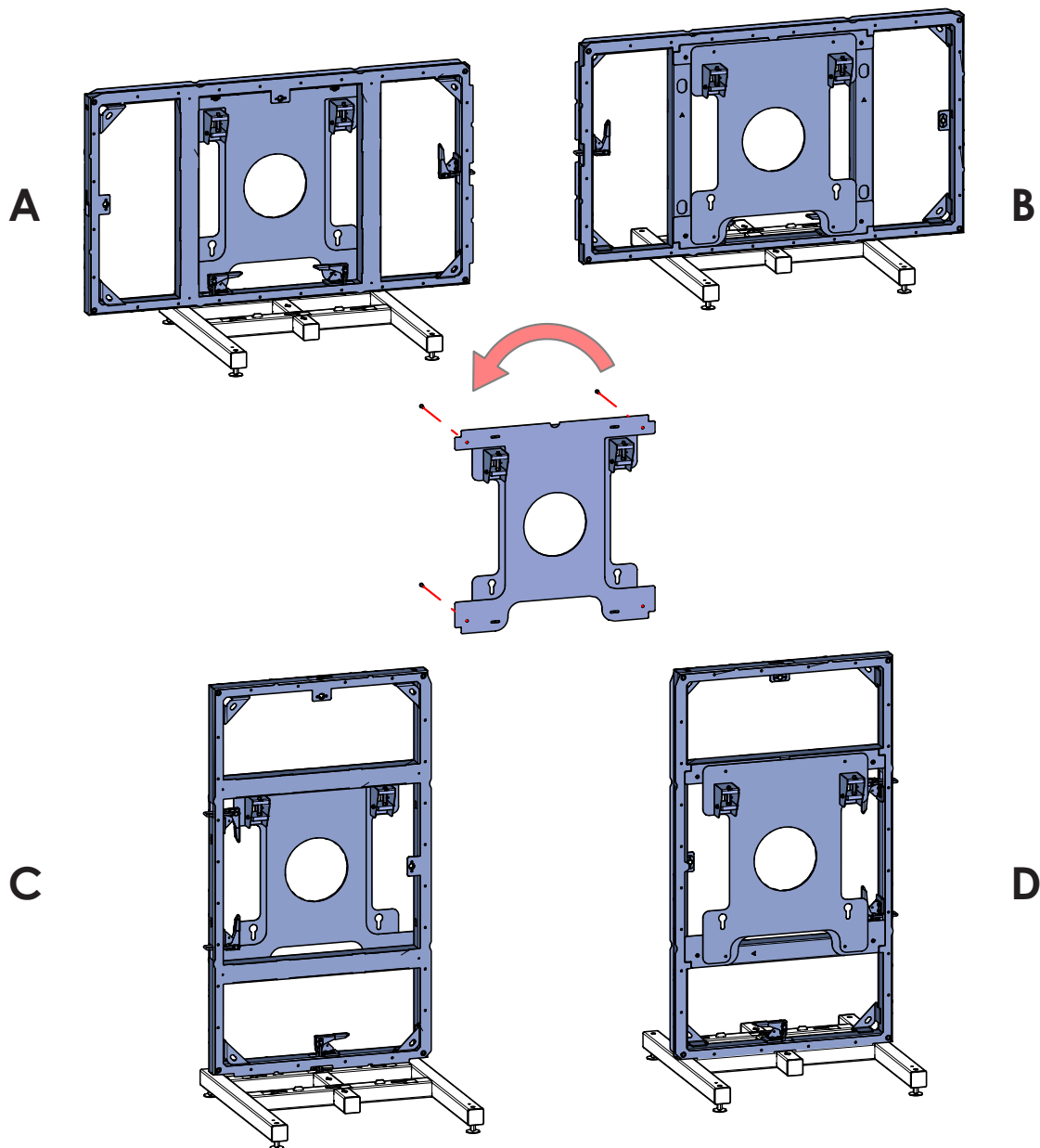
PARTS



POS	Part Number
1	082.5070-0001
2	082.5070-0002
3	082.5070-0003
4	special
5	special
6	special

MOUNTING INSTRUCTIONS

FLOOR ARRANGEMENT

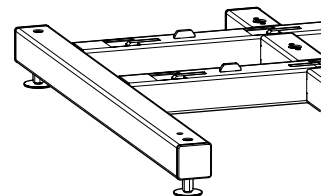
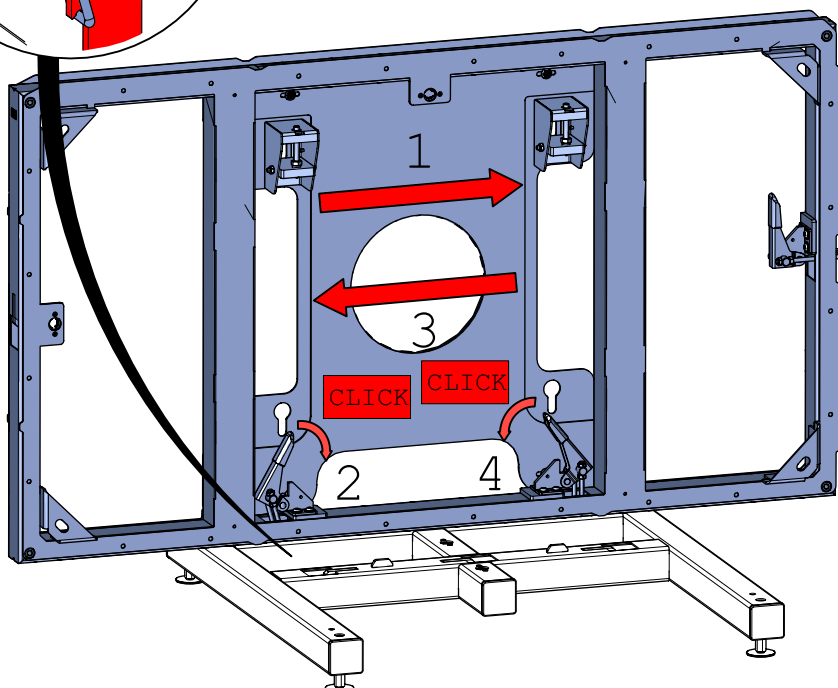
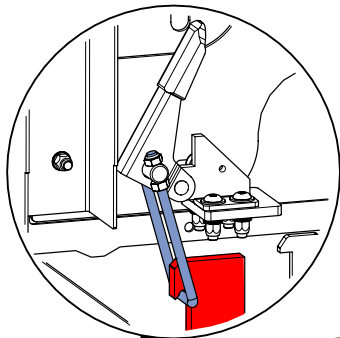
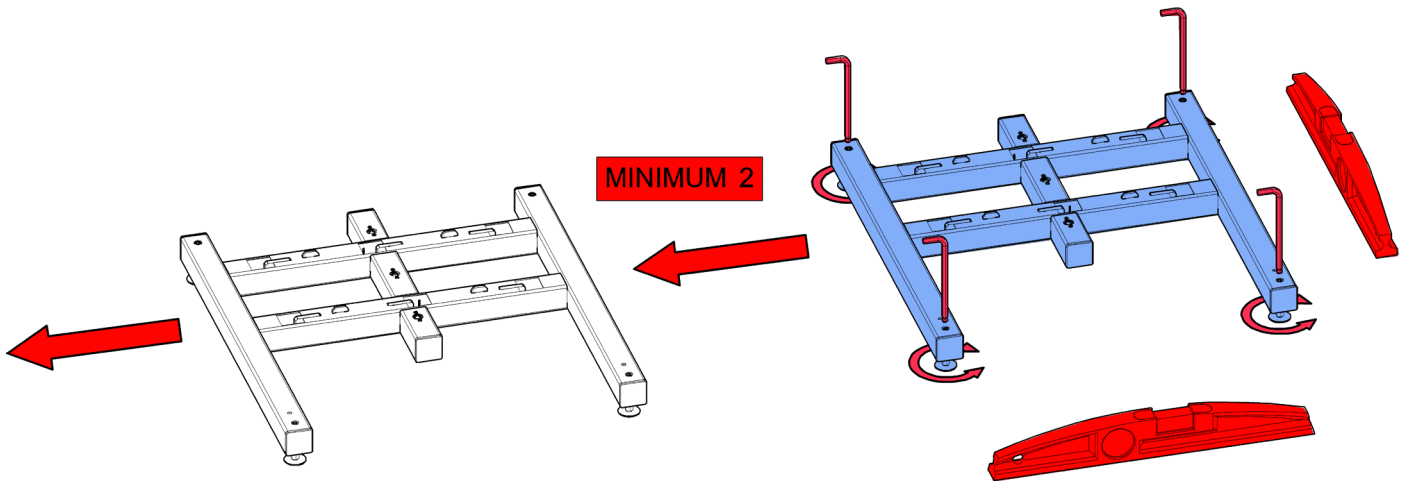


Options

- A - Landscape, position 1
- B - Landscape, position 2
- C - Portrait, position 1
- D - Portrait, position 2

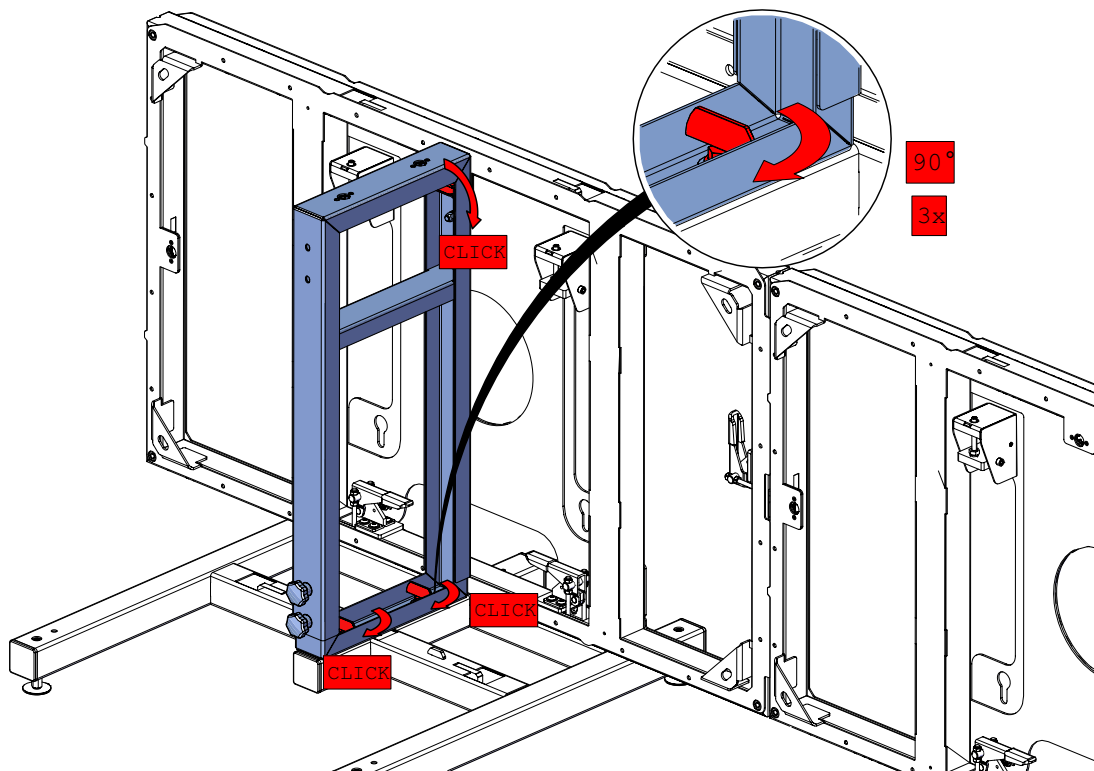
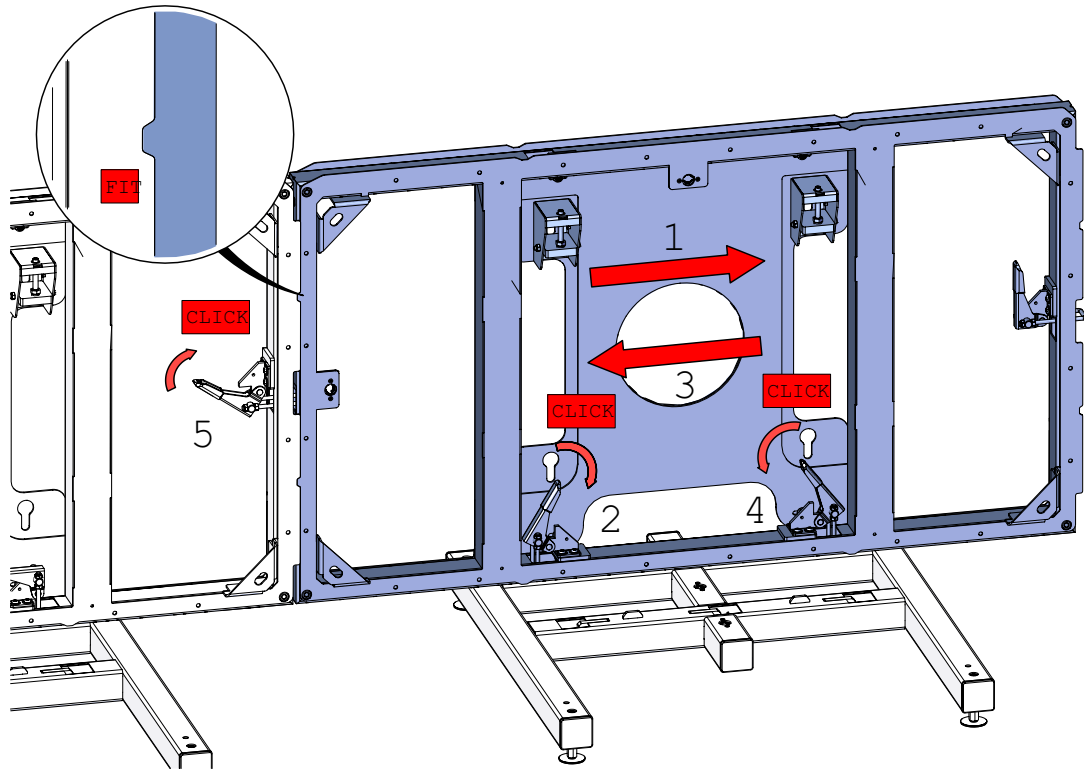
MOUNTING INSTRUCTIONS

FLOOR ARRANGEMENT



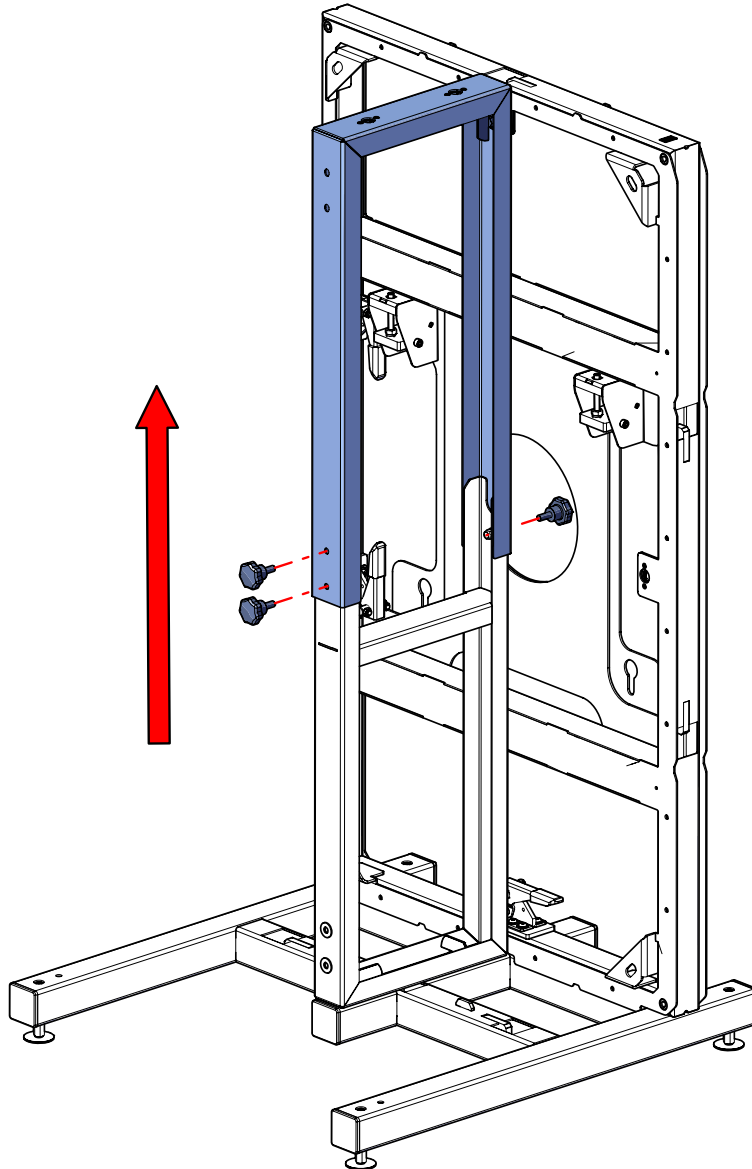
MOUNTING INSTRUCTIONS

FLOOR ARRANGEMENT



MOUNTING INSTRUCTIONS

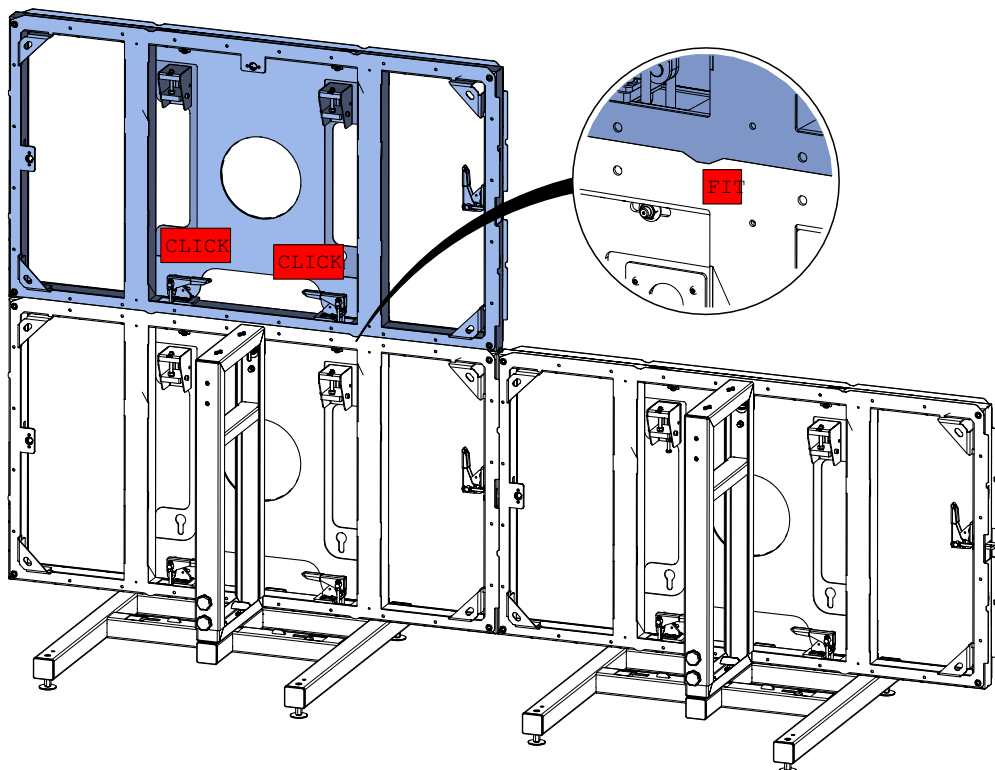
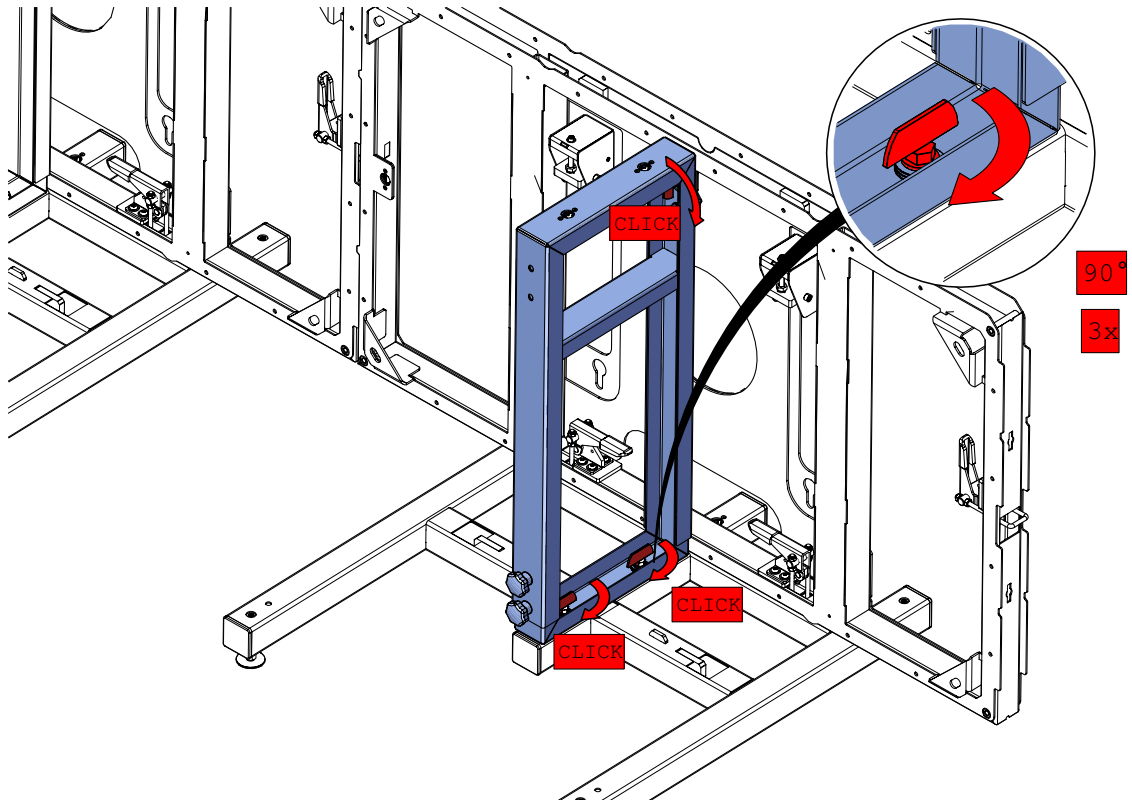
FLOOR ARRANGEMENT



Enlarge coupling frame for portrait option

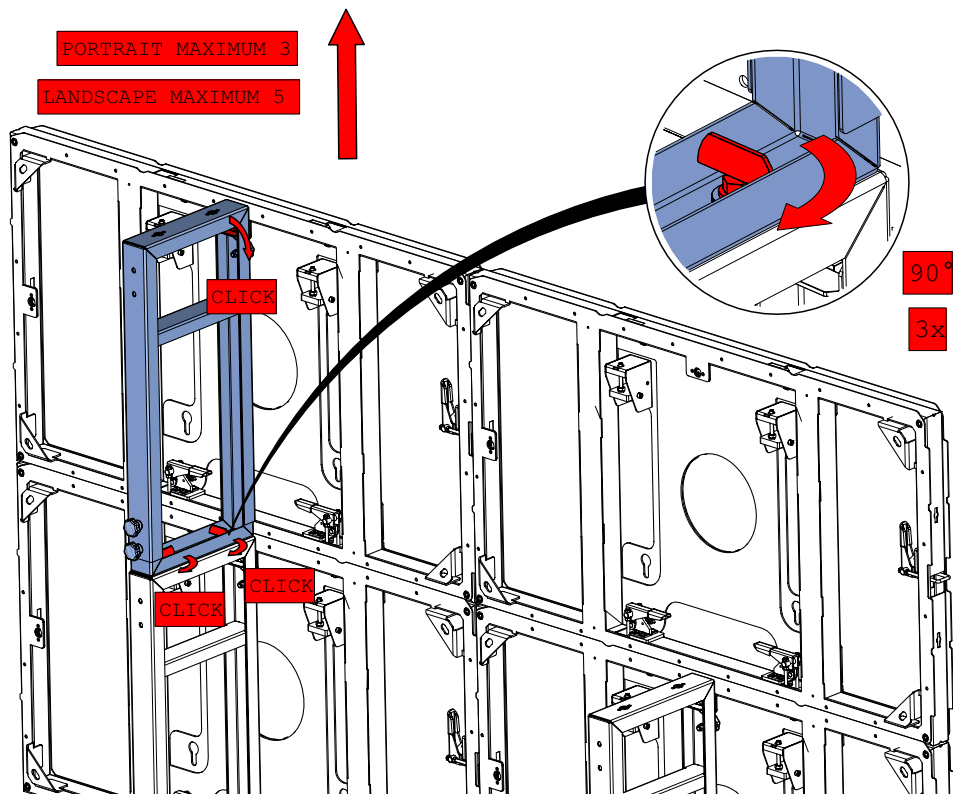
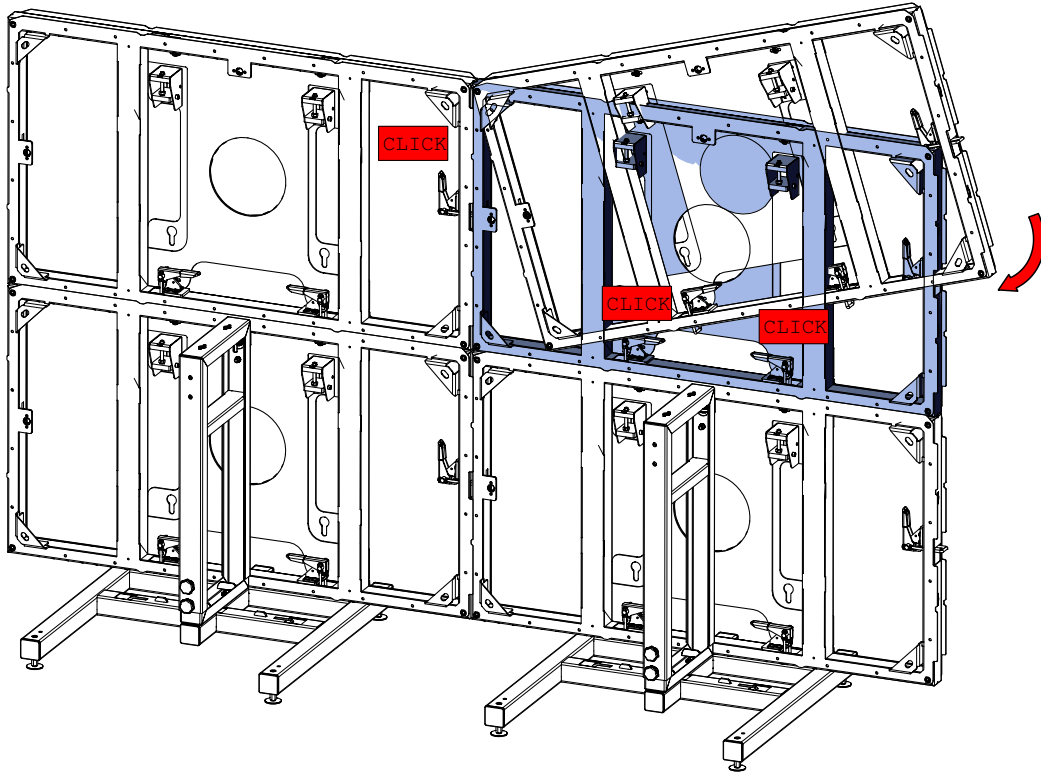
MOUNTING INSTRUCTIONS

FLOOR ARRANGEMENT



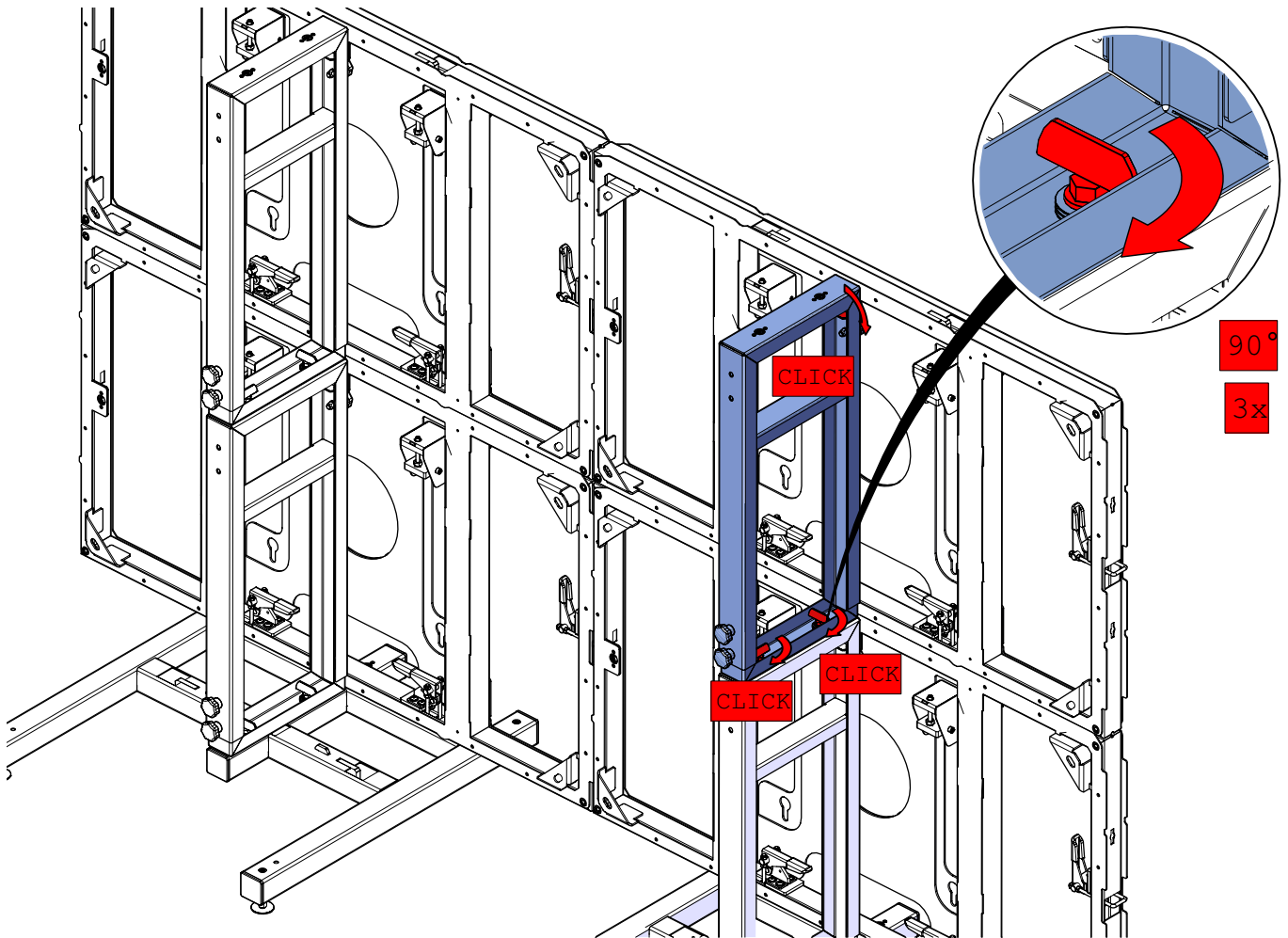
MOUNTING INSTRUCTIONS

FLOOR ARRANGEMENT



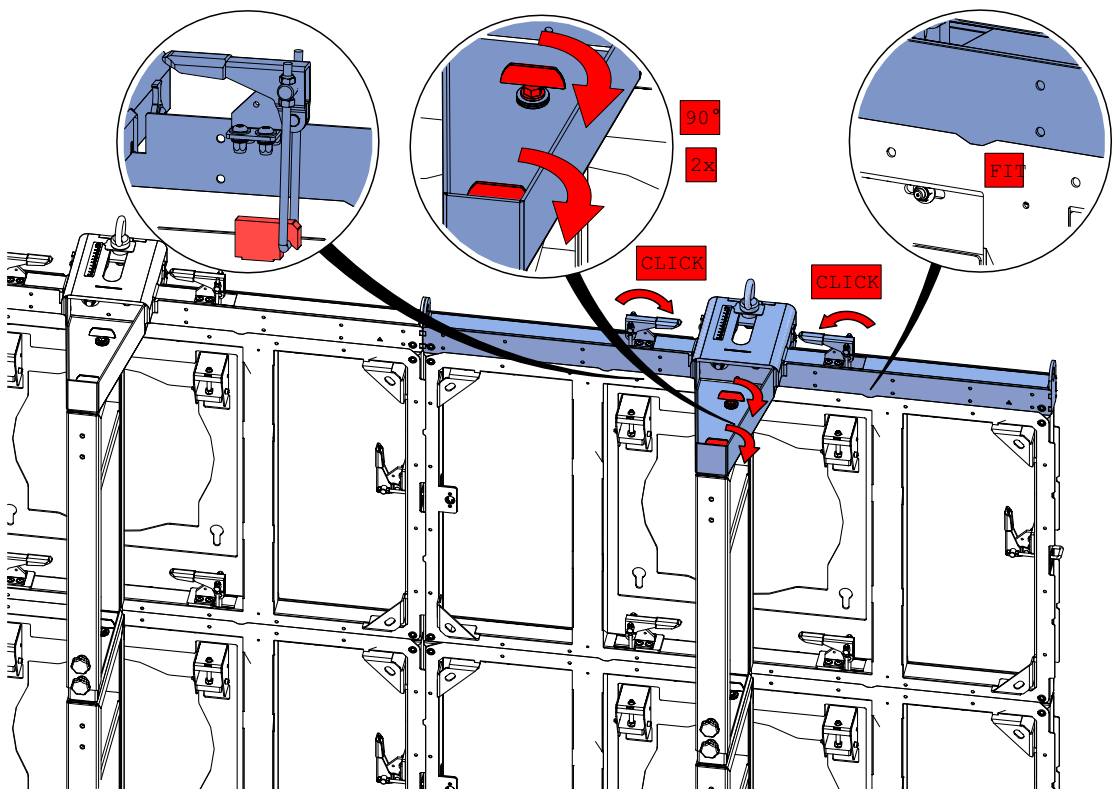
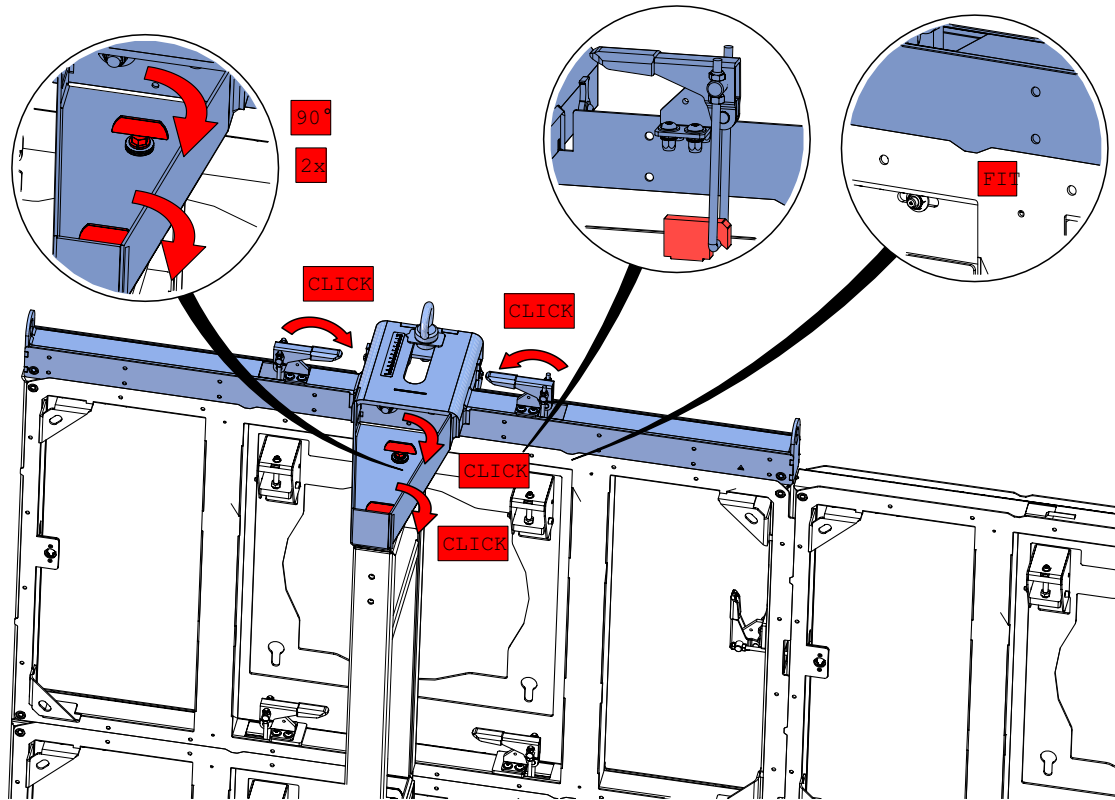
MOUNTING INSTRUCTIONS

FLOOR ARRANGEMENT



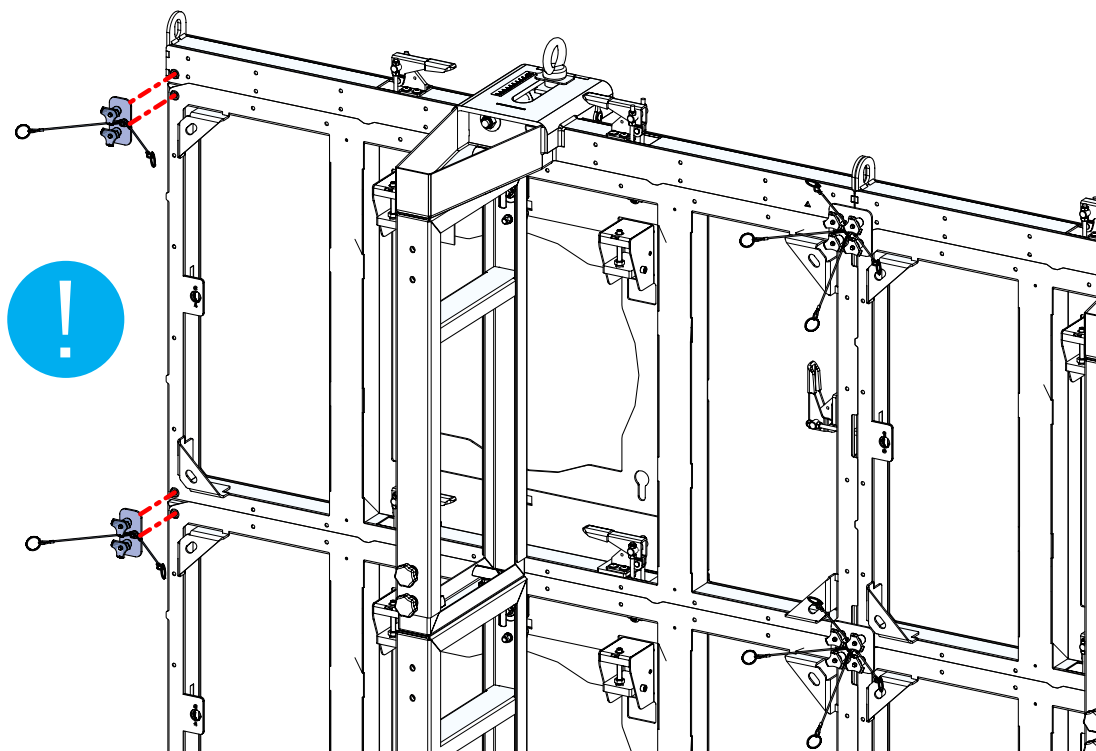
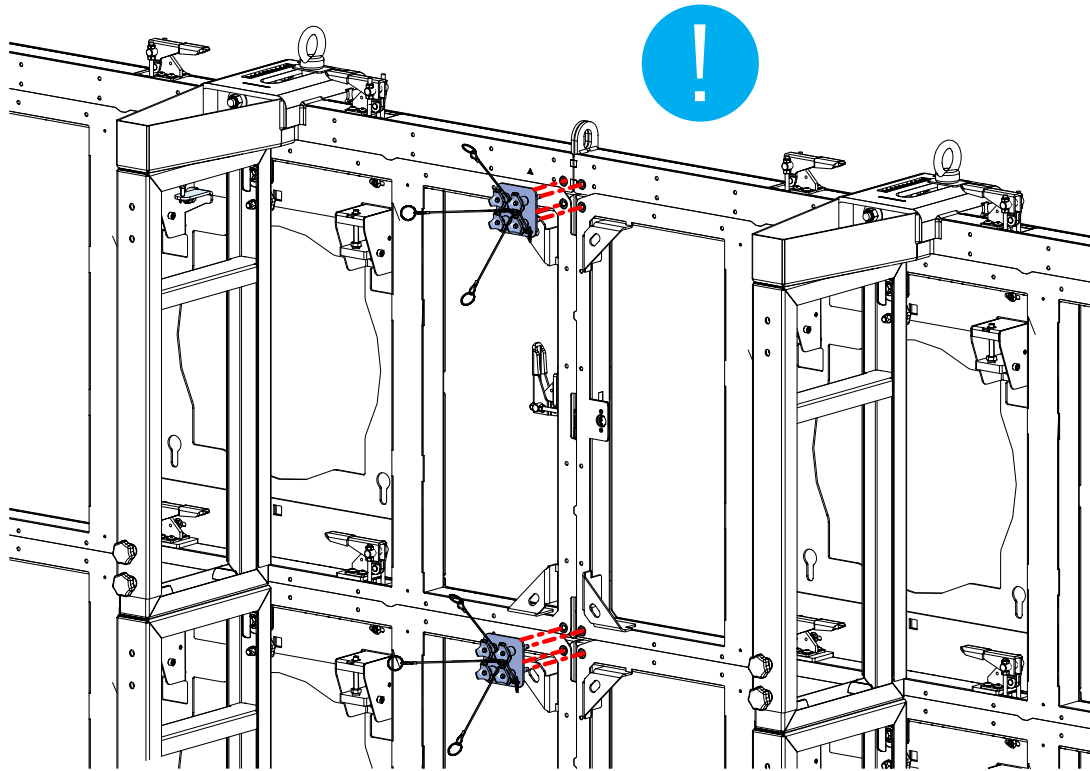
MOUNTING INSTRUCTIONS

TRUSS ARRANGEMENT (FLY)



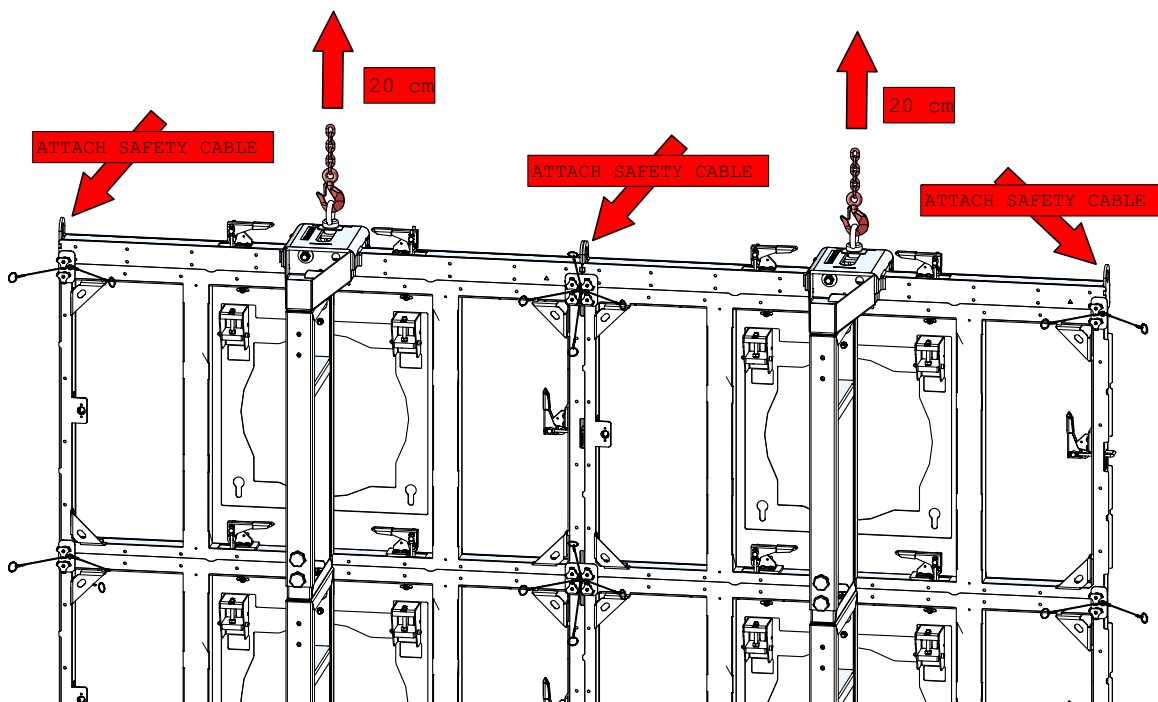
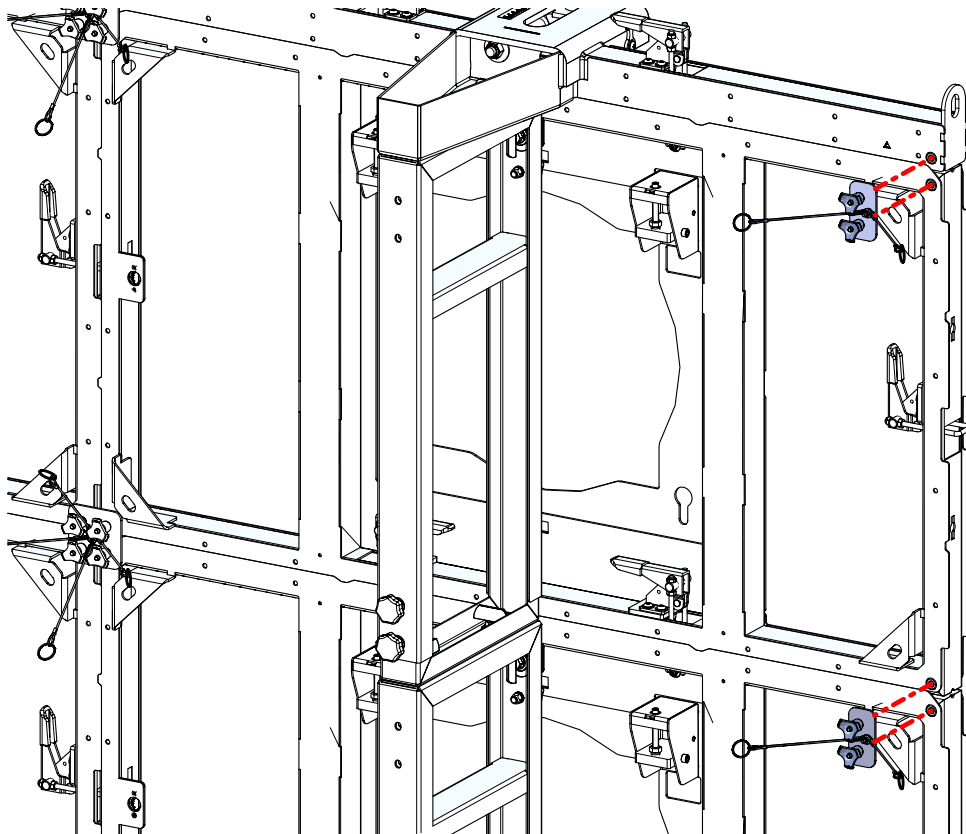
MOUNTING INSTRUCTIONS

TRUSS ARRANGEMENT (FLY)



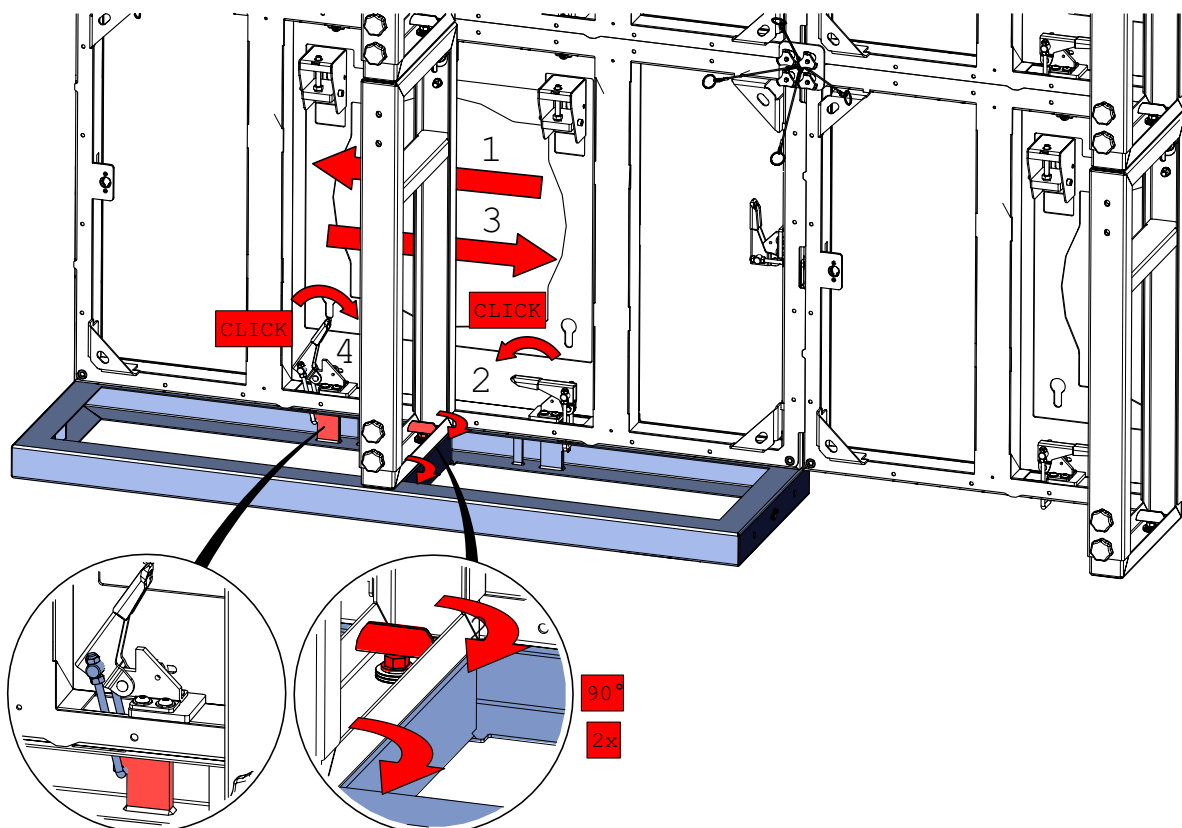
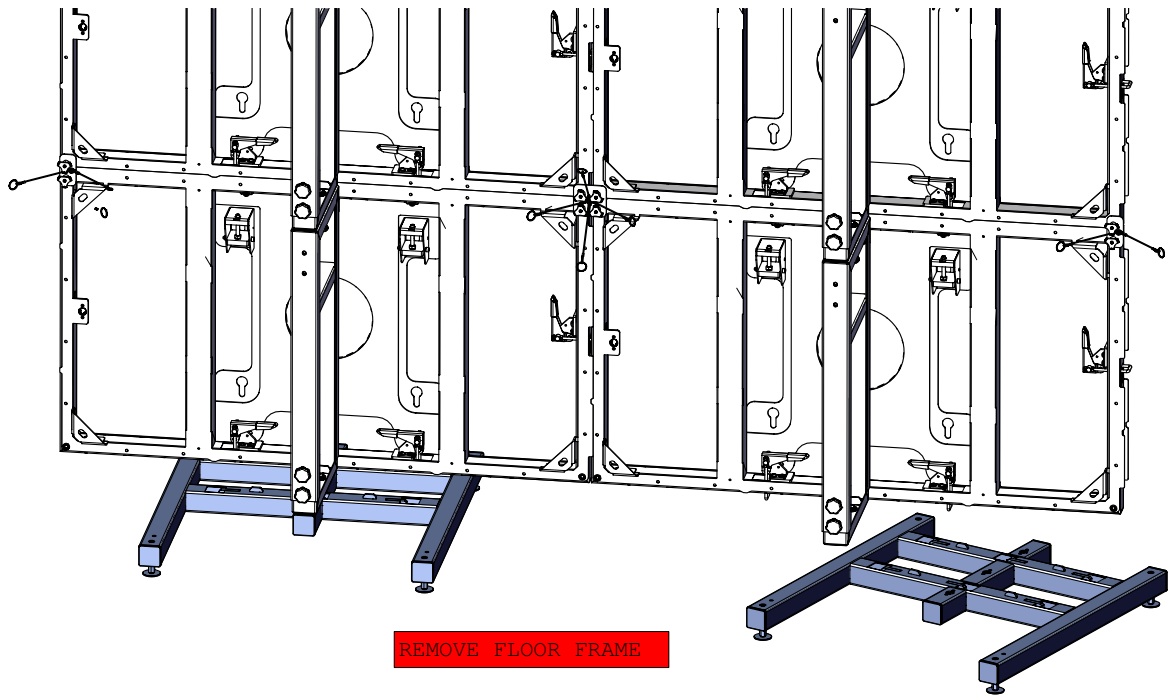
MOUNTING INSTRUCTIONS

TRUSS ARRANGEMENT (FLY)



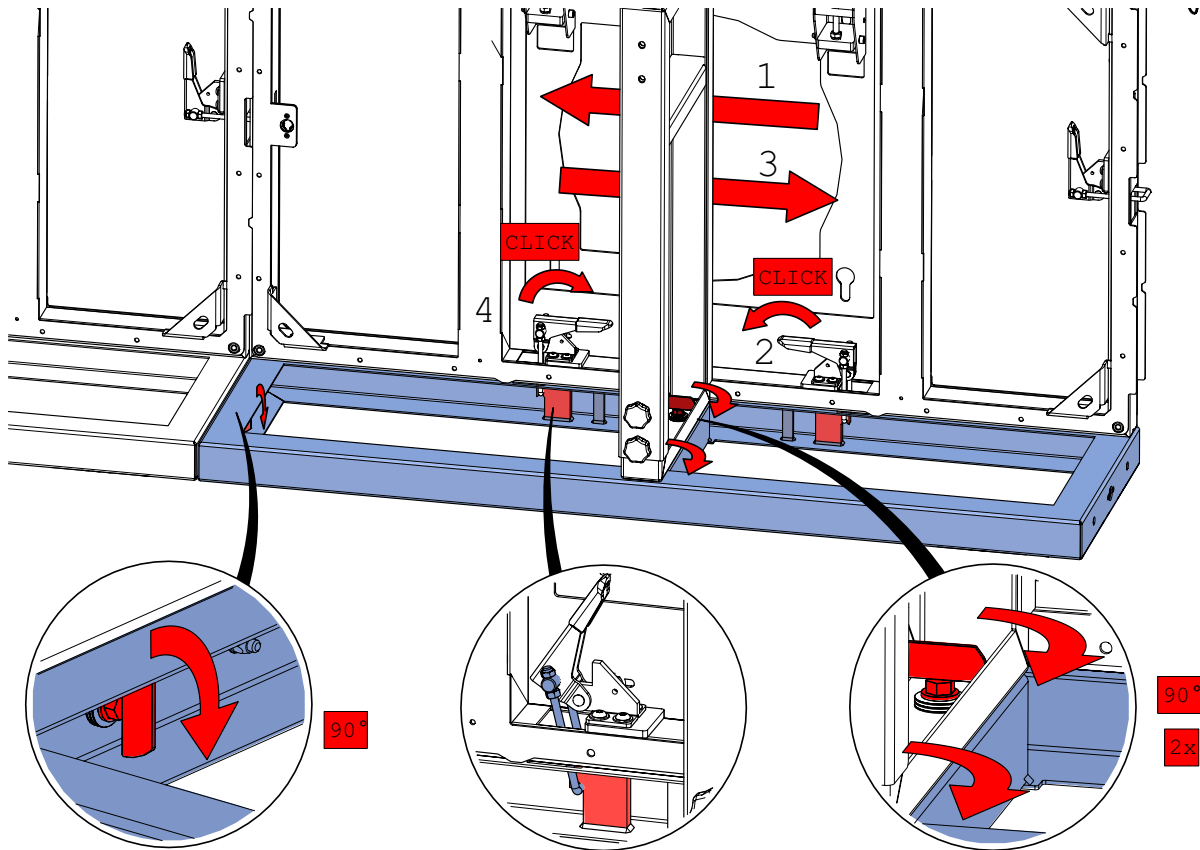
MOUNTING INSTRUCTIONS

TRUSS ARRANGEMENT (FLY)

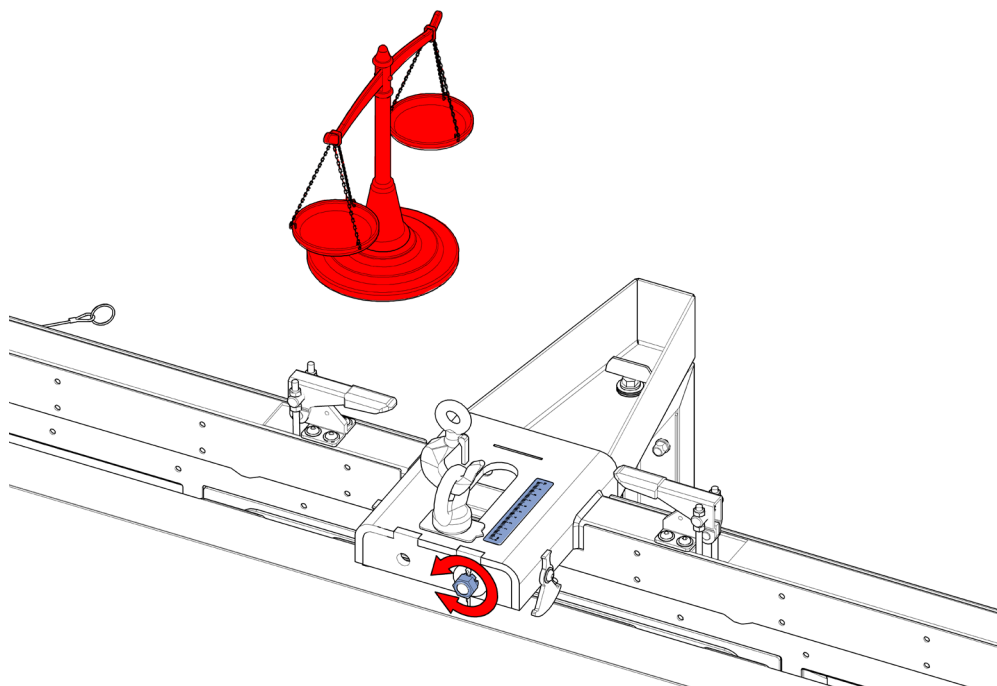


MOUNTING INSTRUCTIONS

TRUSS ARRANGEMENT (FLY)

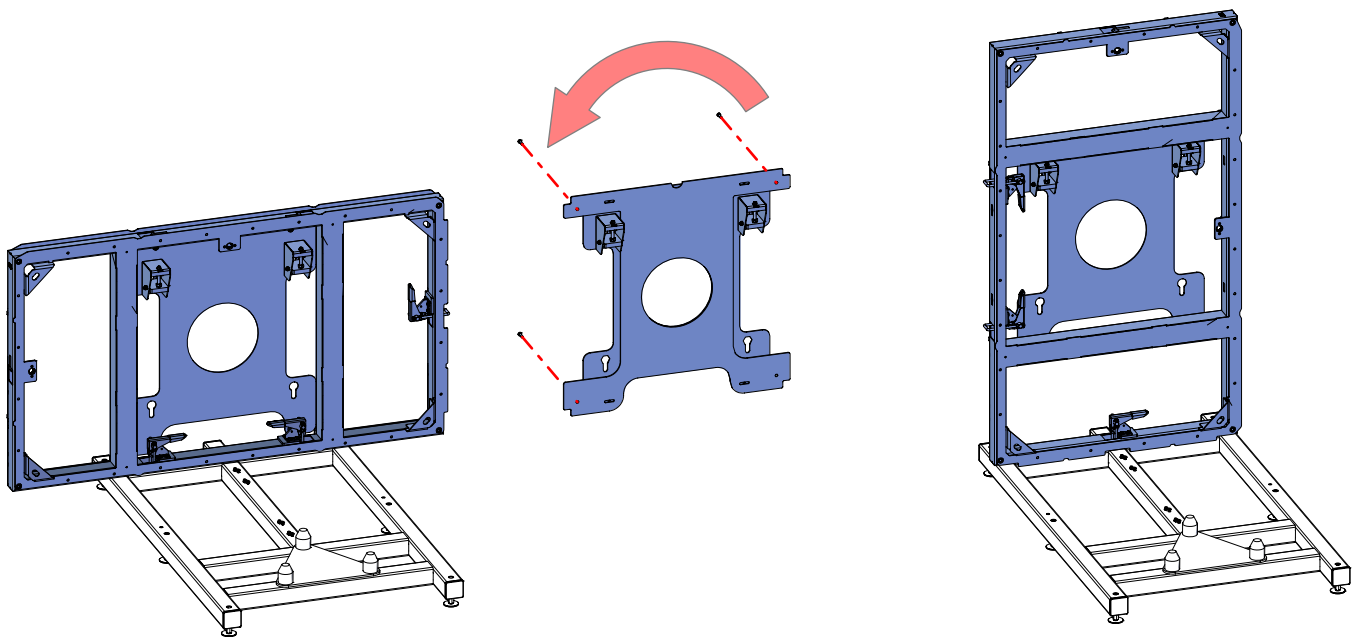


Mount LCD's. See LCD SCREEN ASSEMBLY on page 27



MOUNTING INSTRUCTIONS

TRUSS ARRANGEMENT (FLOOR)

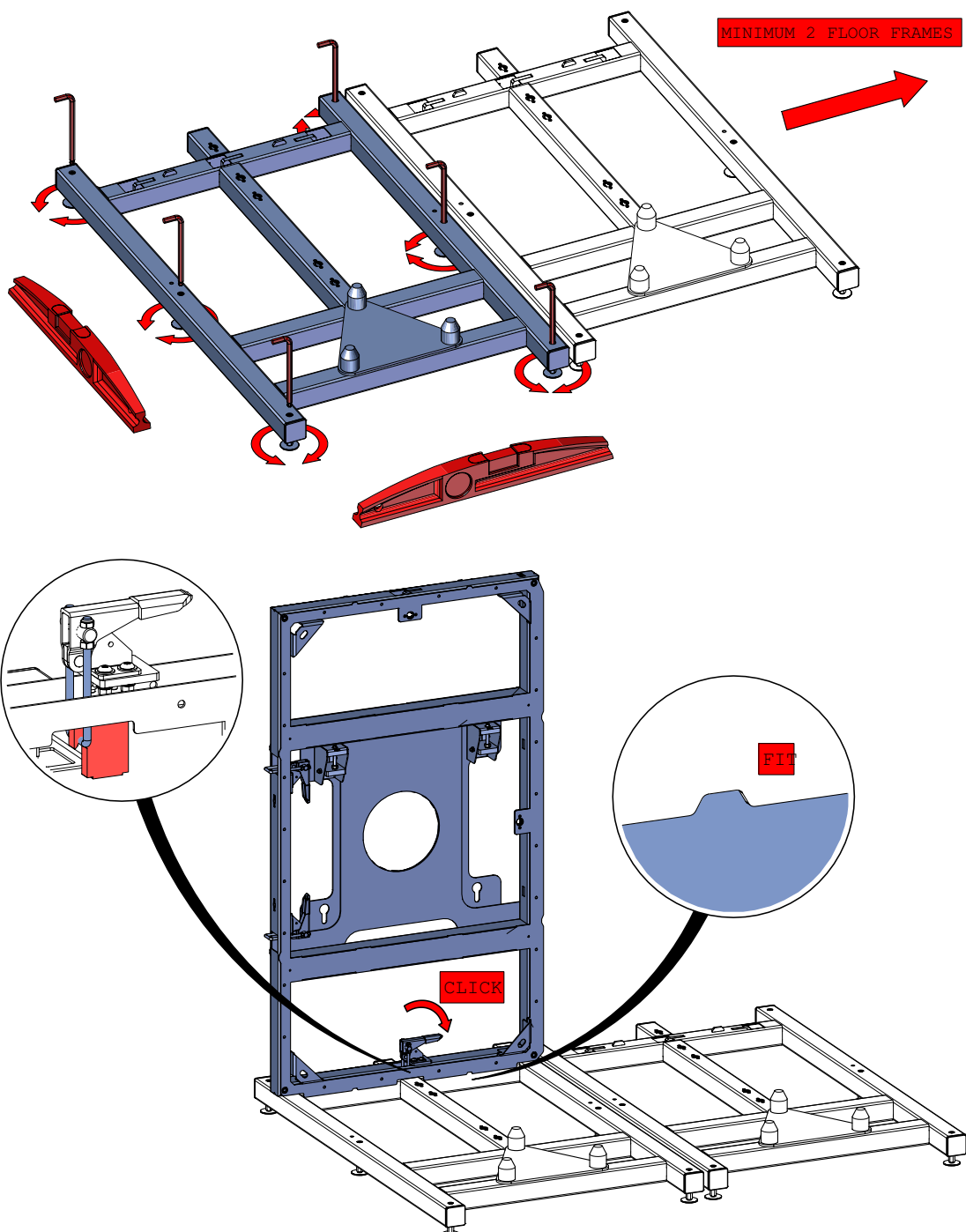


Options

Portrait
Landscape

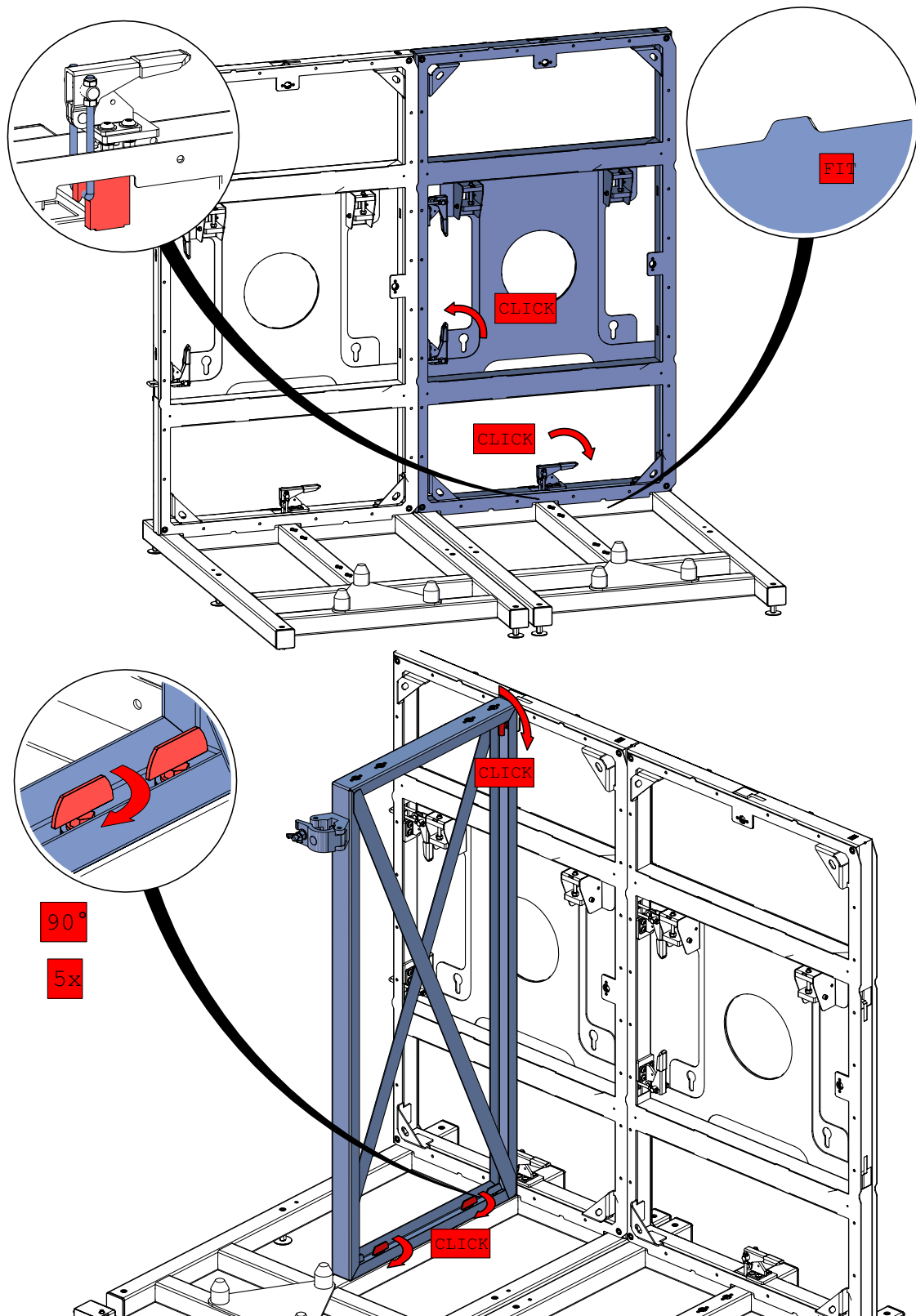
MOUNTING INSTRUCTIONS

TRUSS ARRANGEMENT (FLOOR)



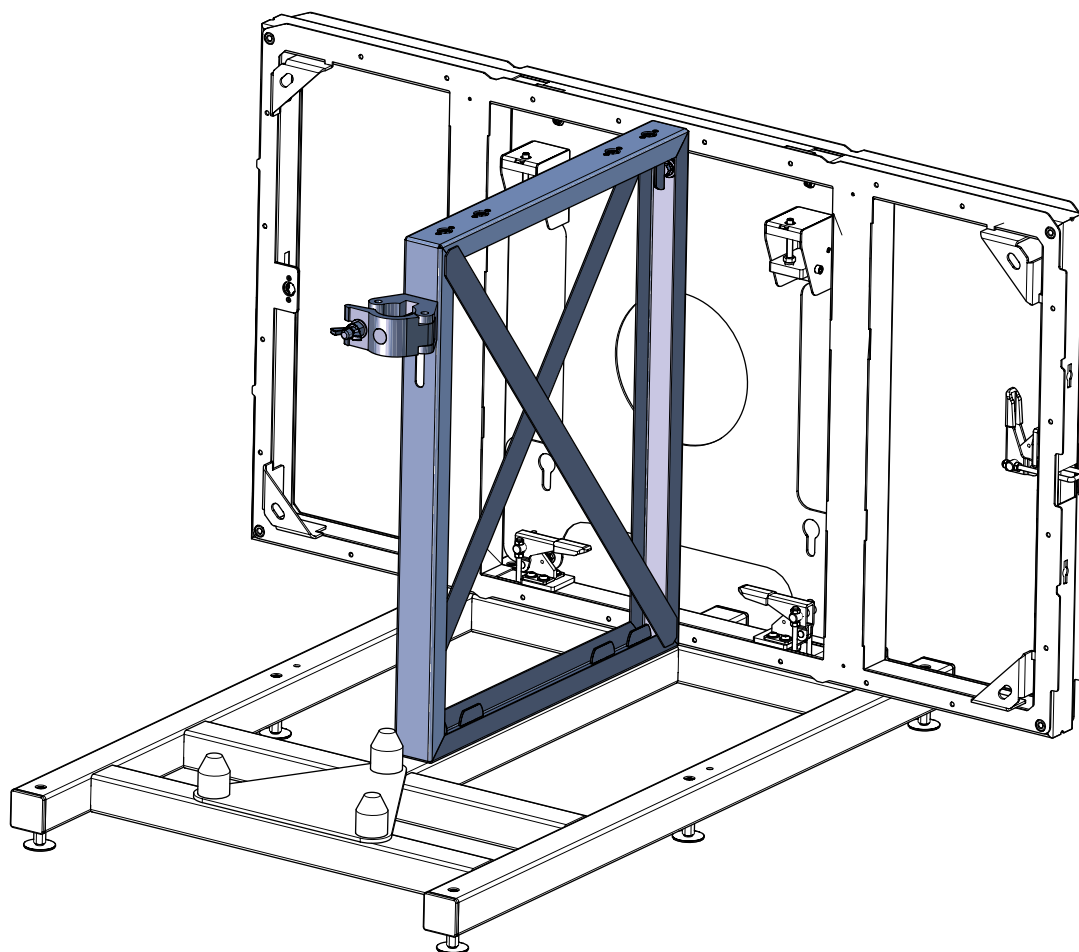
MOUNTING INSTRUCTIONS

TRUSS ARRANGEMENT (FLOOR)



MOUNTING INSTRUCTIONS

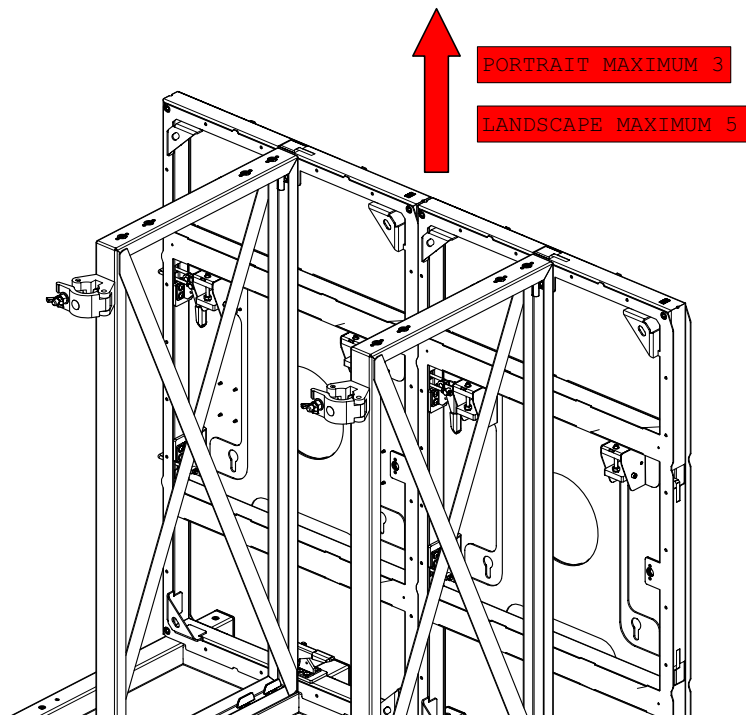
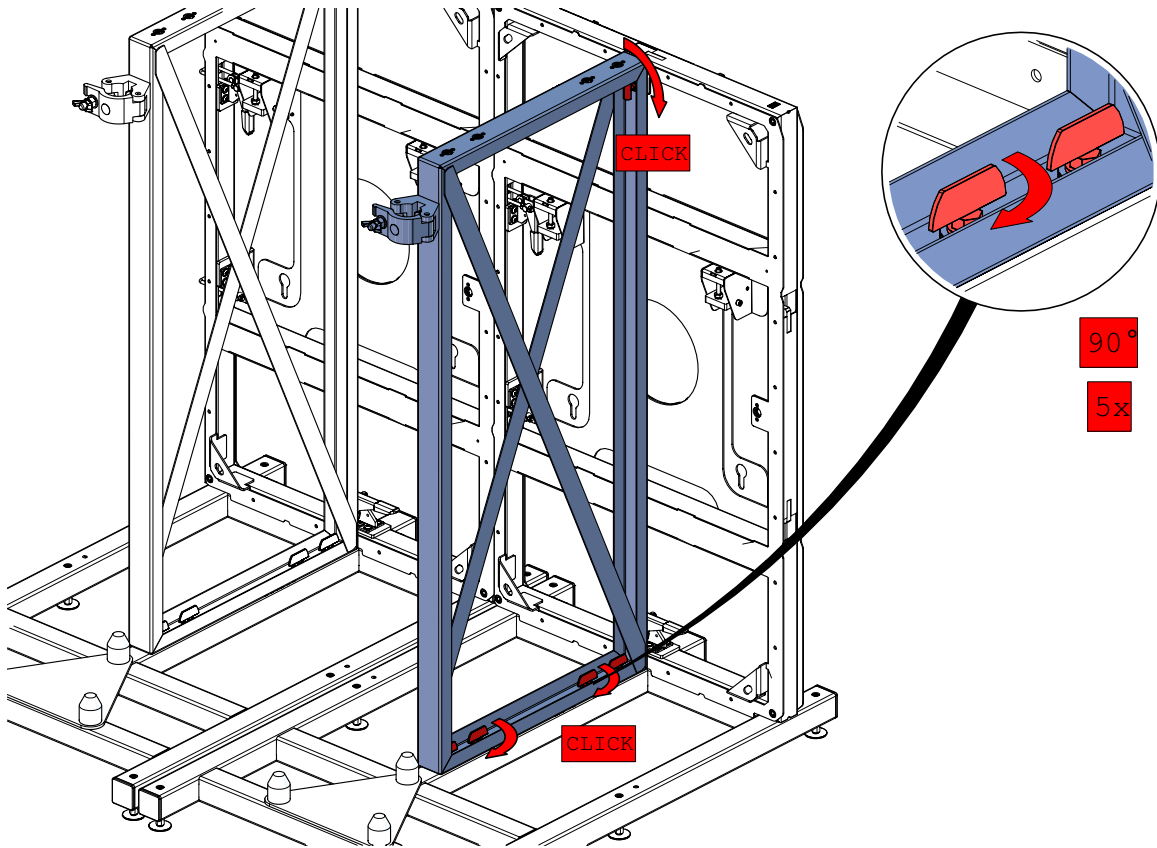
TRUSS ARRANGEMENT (FLOOR)



Coupling frame for landscape option

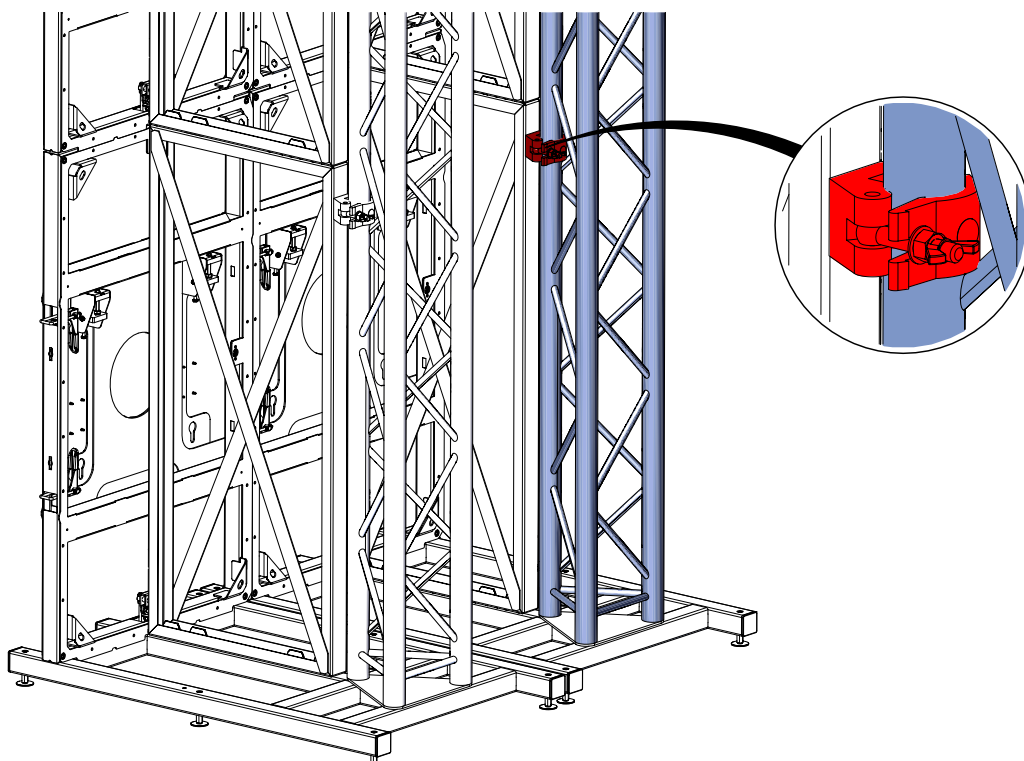
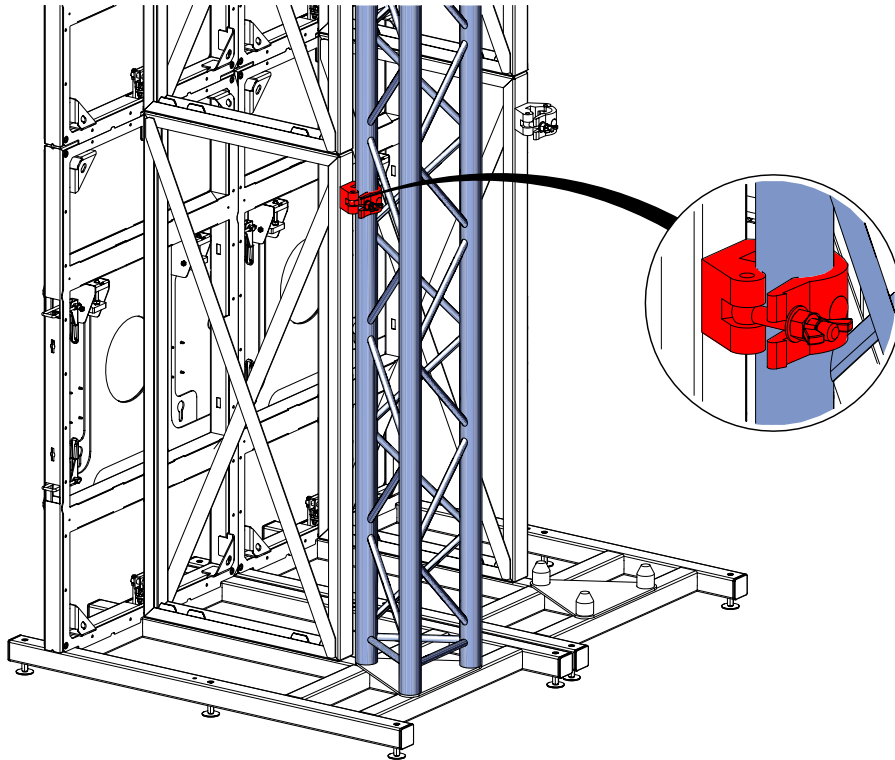
MOUNTING INSTRUCTIONS

TRUSS ARRANGEMENT (FLOOR)



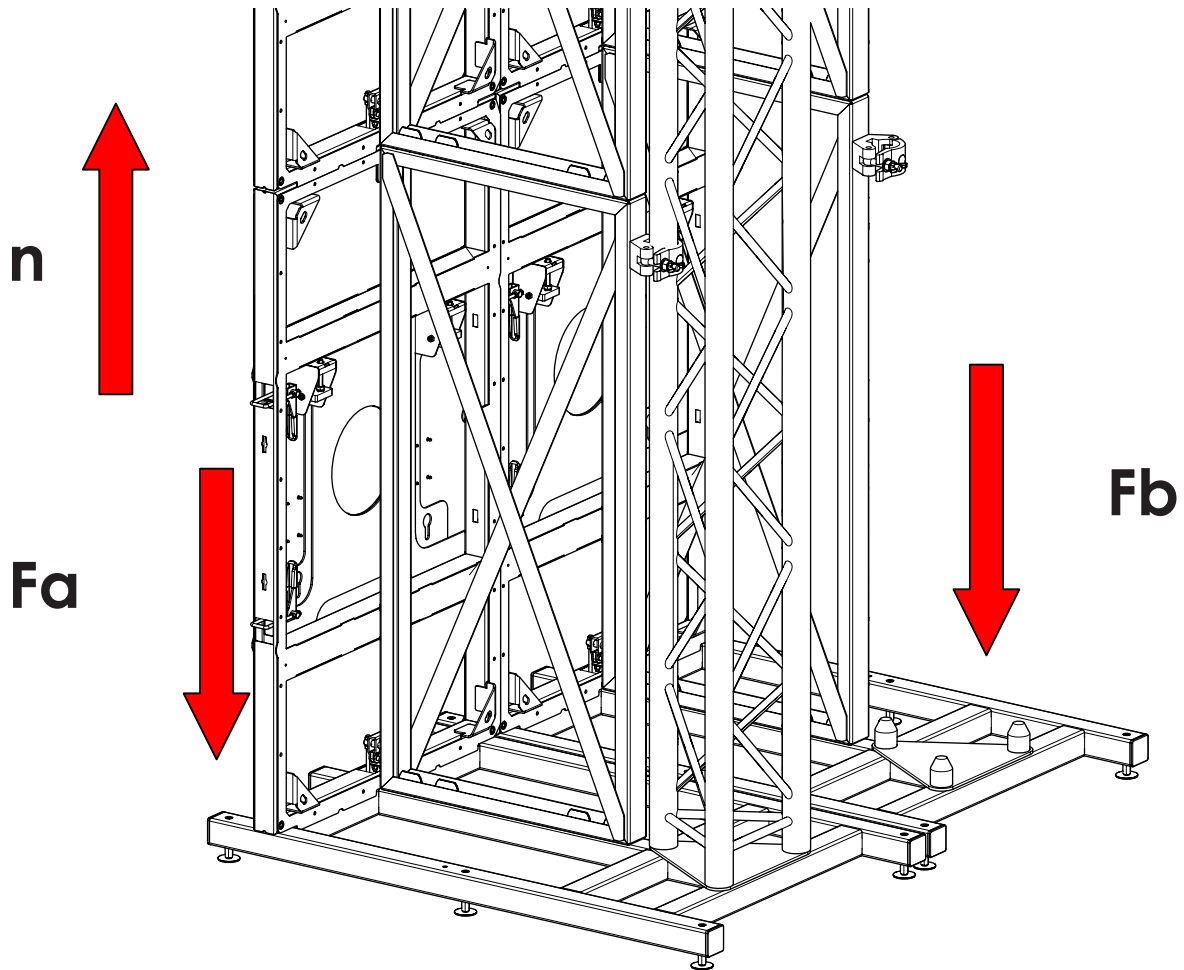
MOUNTING INSTRUCTIONS

TRUSS ARRANGEMENT (FLOOR)



MOUNTING INSTRUCTIONS

TÜV REGULATION

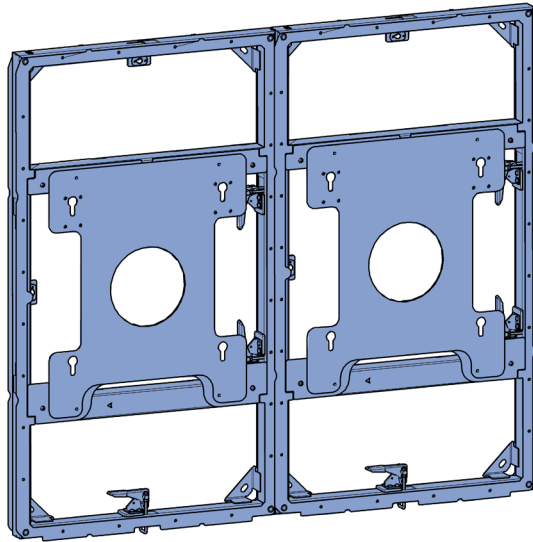
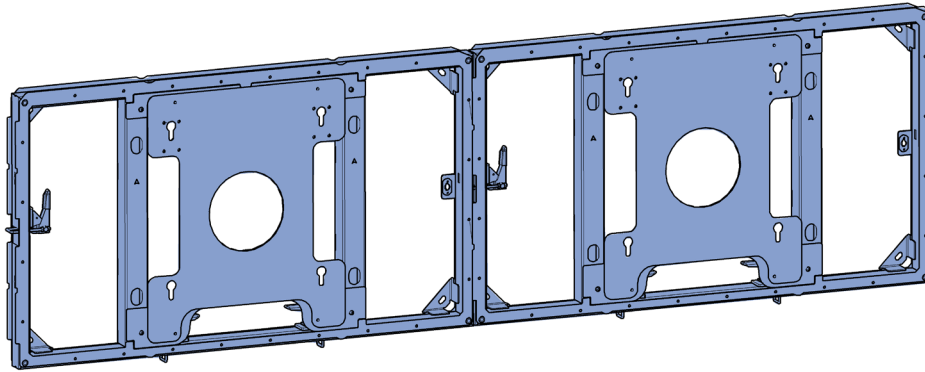


- * Number of screens in height
 ** Ballast weight needed for Truss arrangement (floor) in kg for each foot
 *** Calculation based on screen weight 36kg

Landscape			Portrait		
n*	Fa**	Fb**	n*	Fa**	Fb**
1	0	16	1	0	26
2	0	57	2	23	96
3	16	123	3	103	211
4	74	215			
5	156	331			

MOUNTING INSTRUCTIONS

WALL ARRANGEMENT

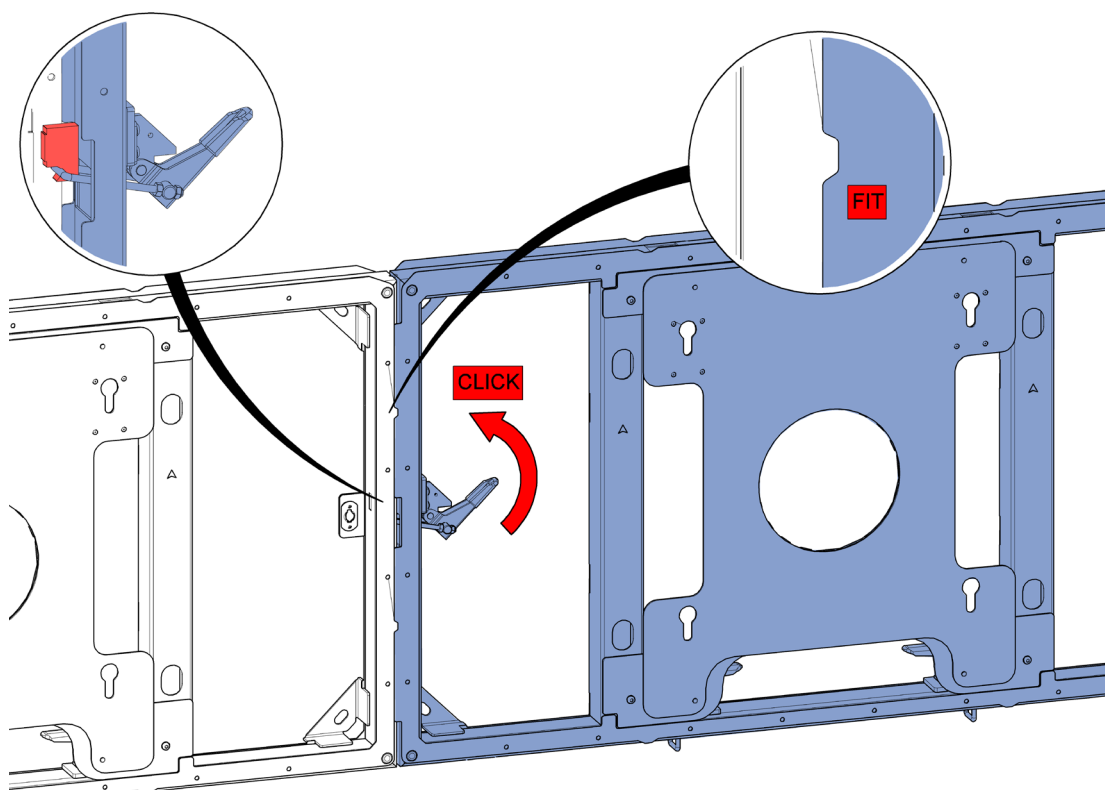
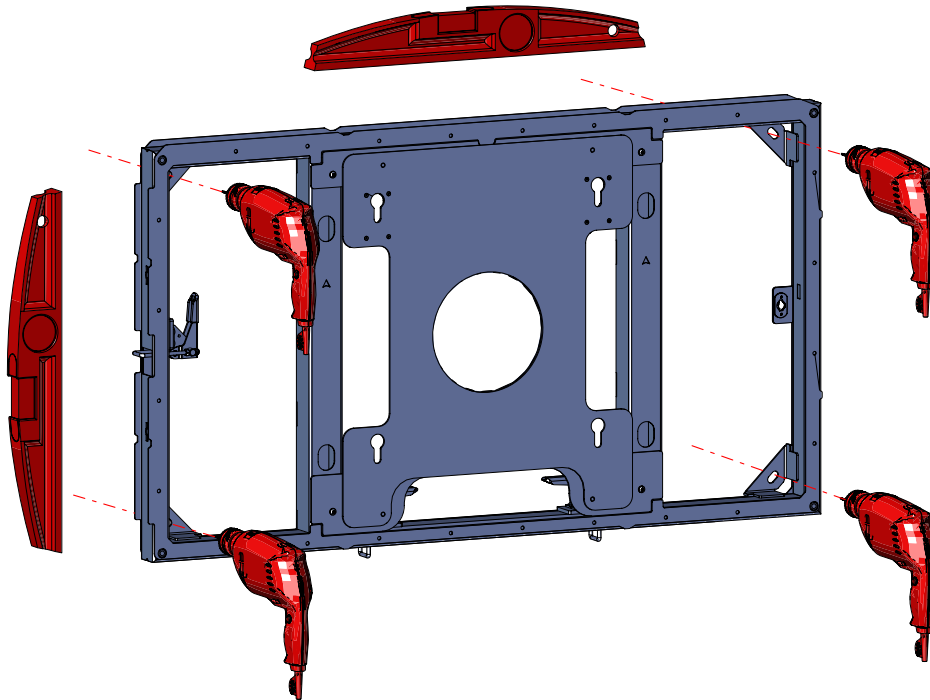


Options

- Landscape
- Portrait

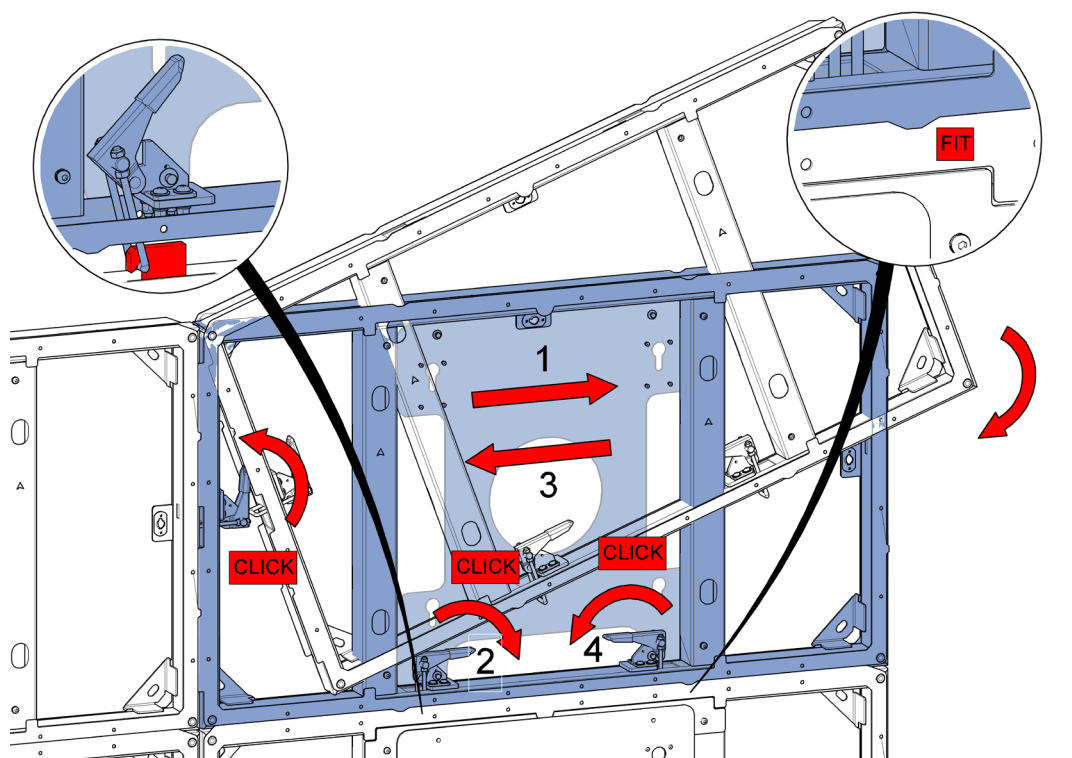
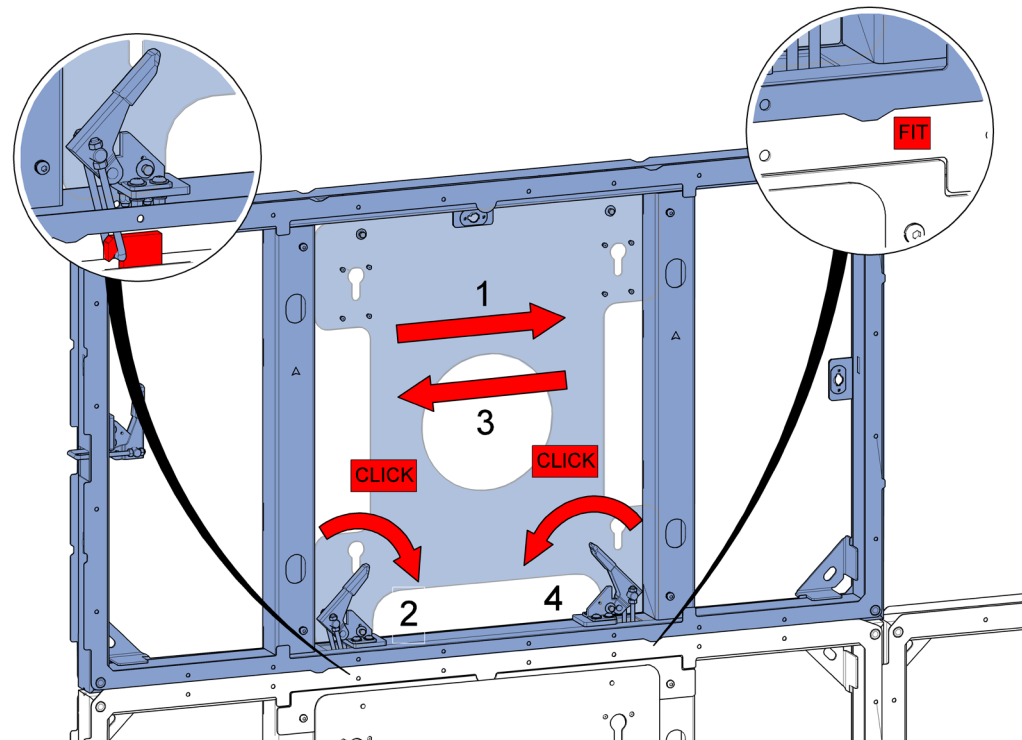
MOUNTING INSTRUCTIONS

WALL ARRANGEMENT



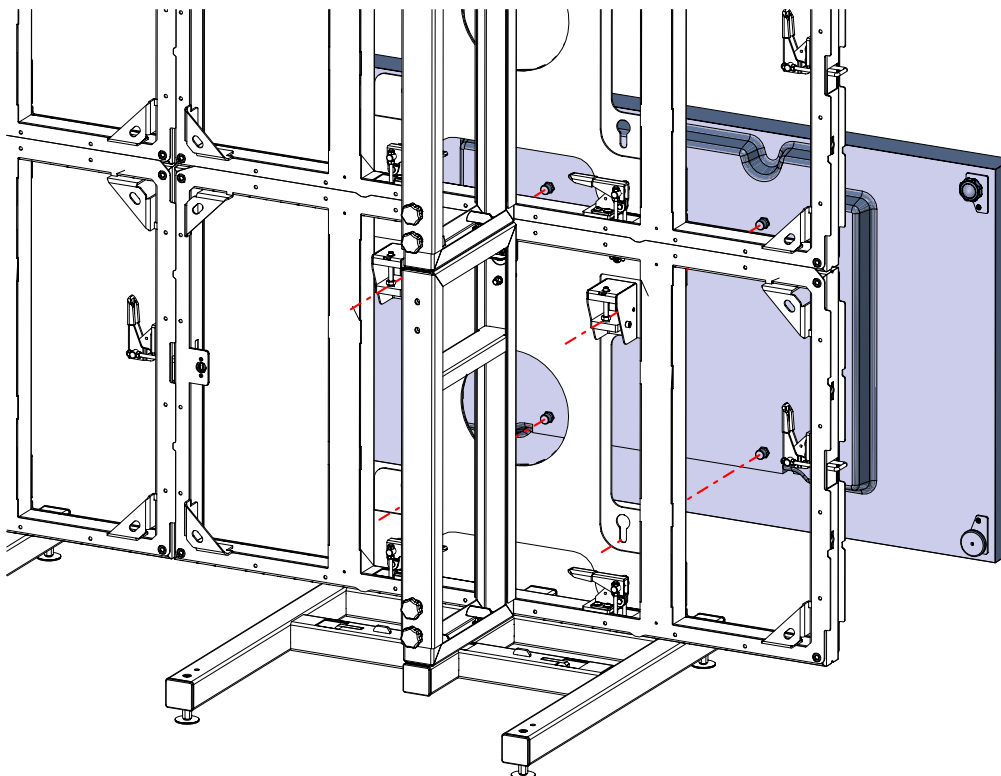
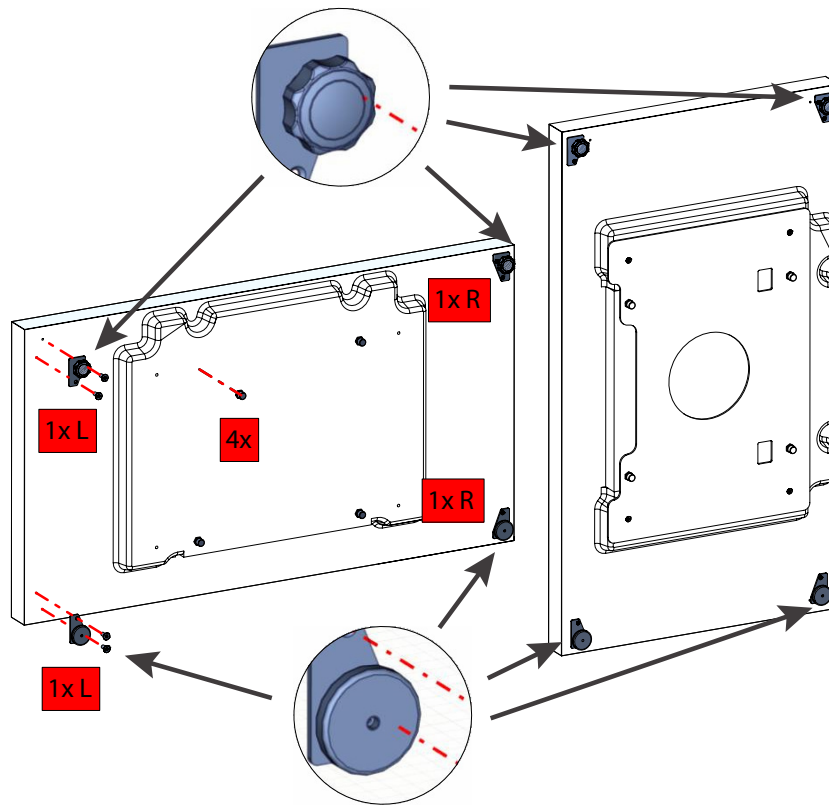
MOUNTING INSTRUCTIONS

WALL ARRANGEMENT



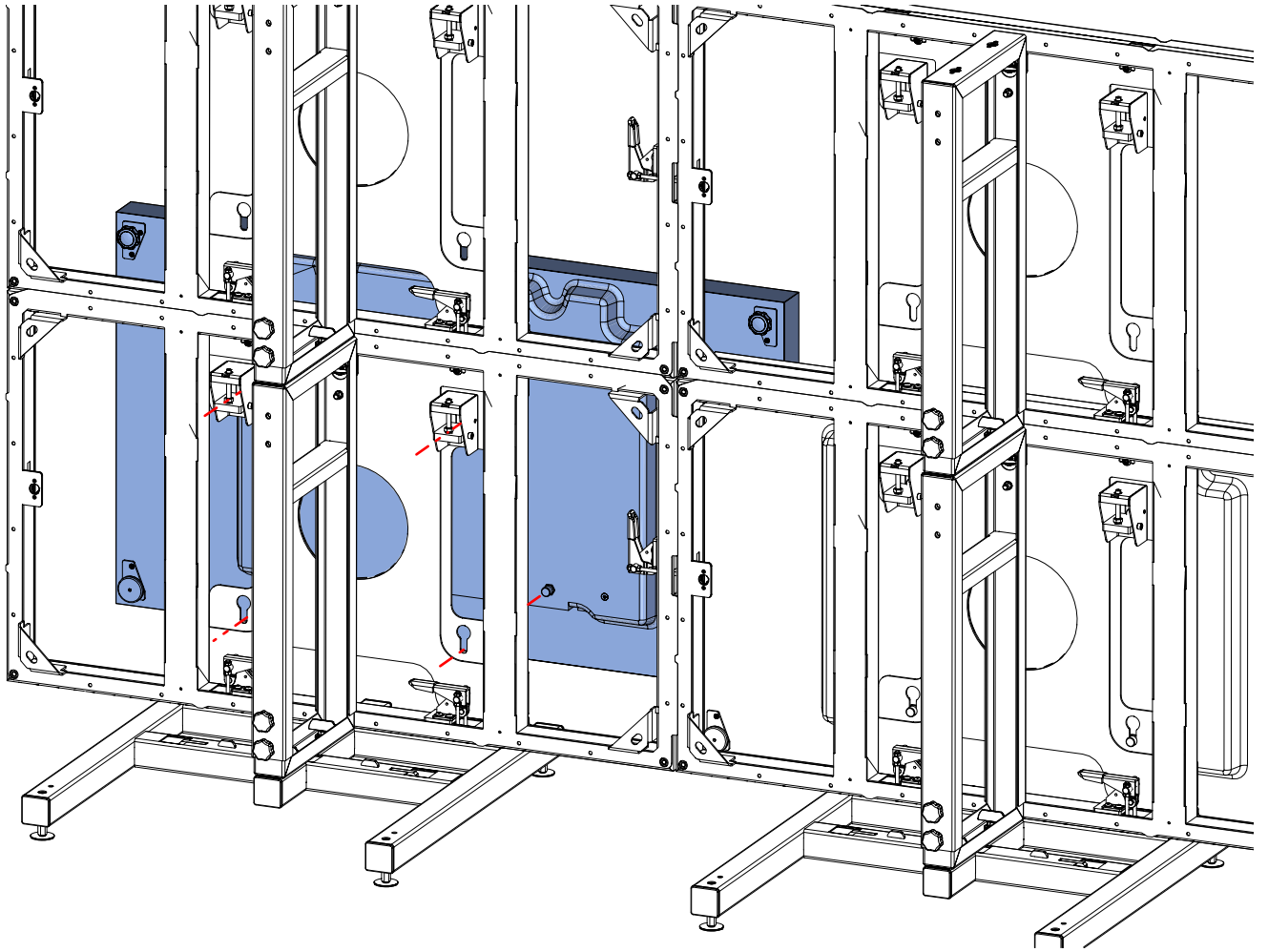
MOUNTING INSTRUCTIONS

LCD SCREEN ASSEMBLY



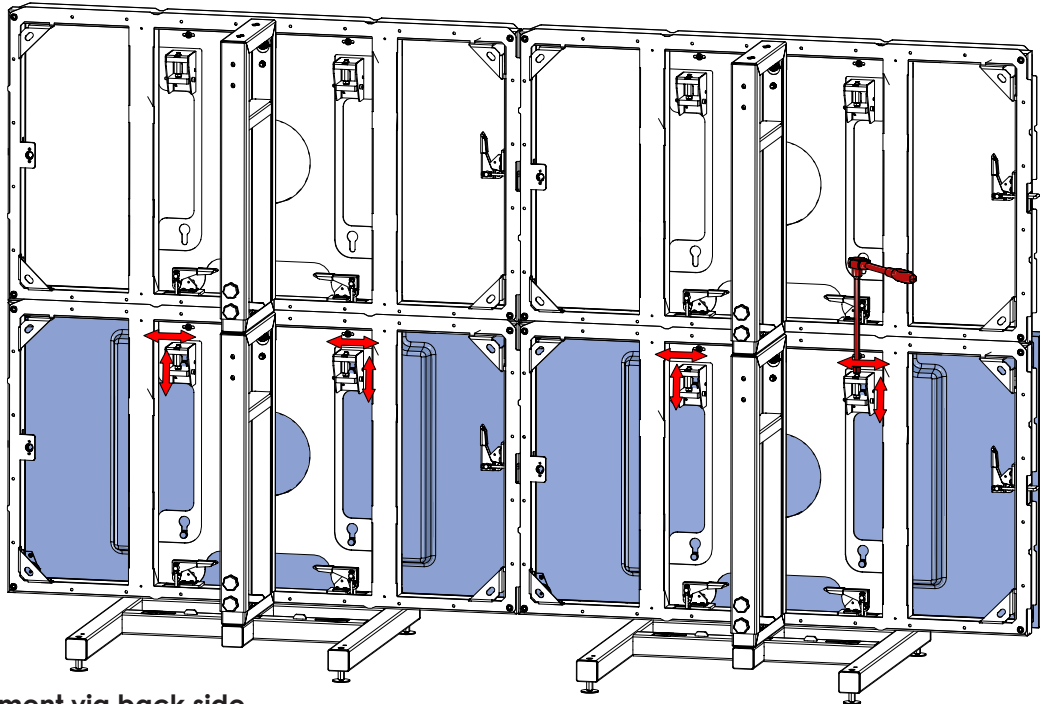
MOUNTING INSTRUCTIONS

LCD SCREEN ASSEMBLY

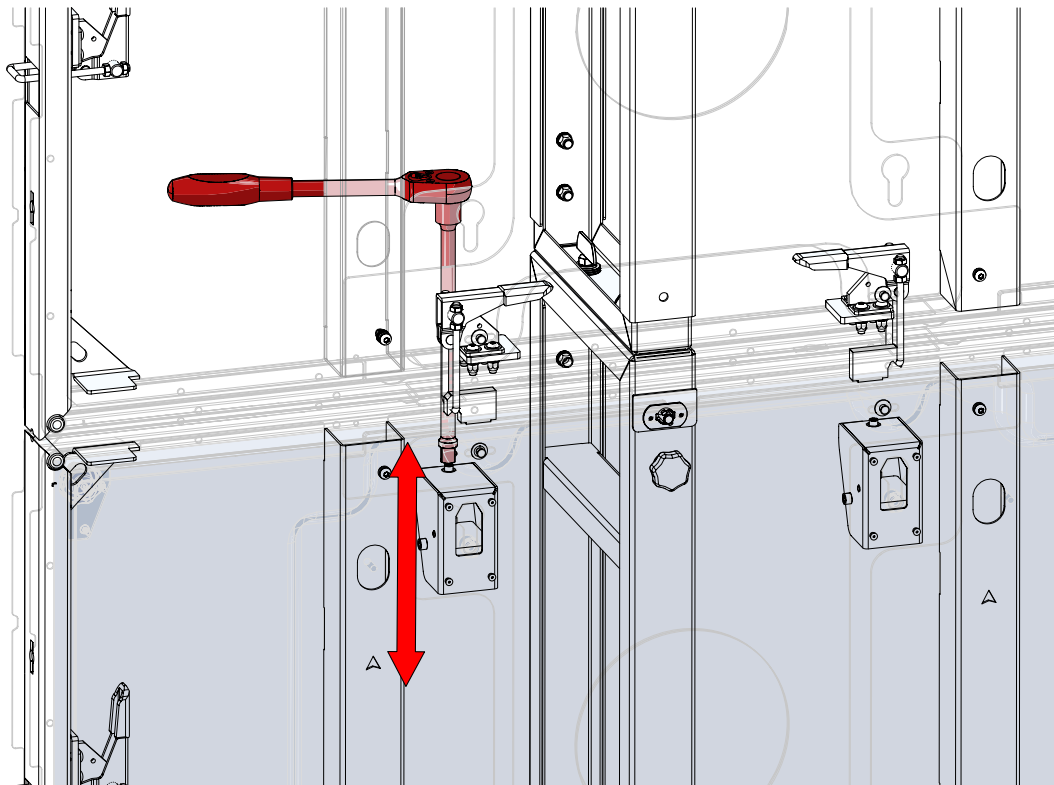


MOUNTING INSTRUCTIONS

LCD SCREEN ASSEMBLY



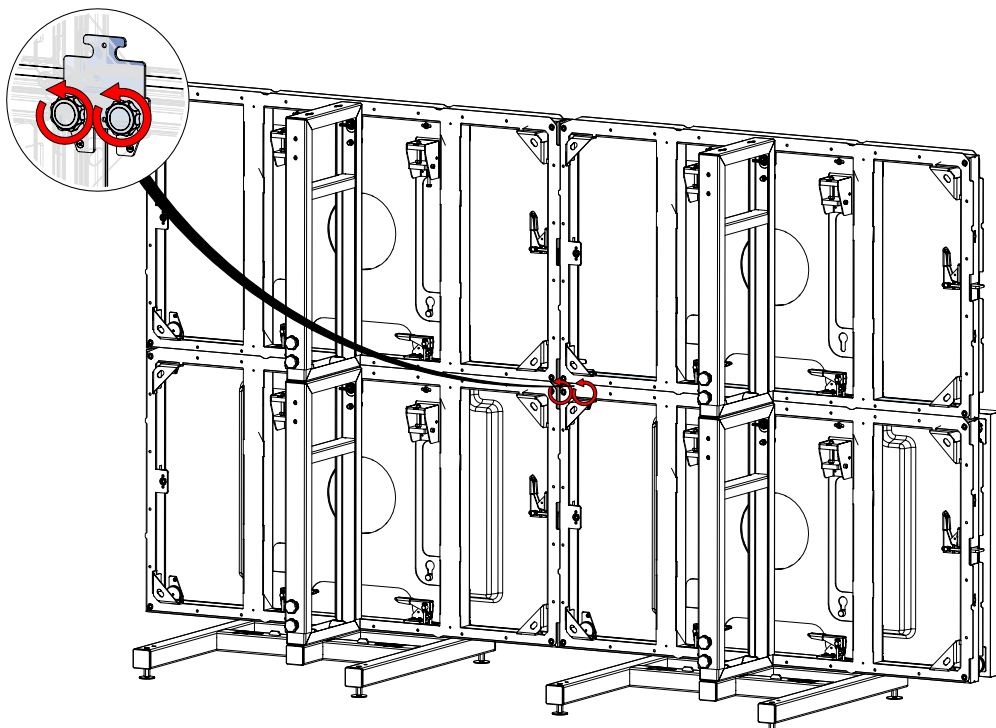
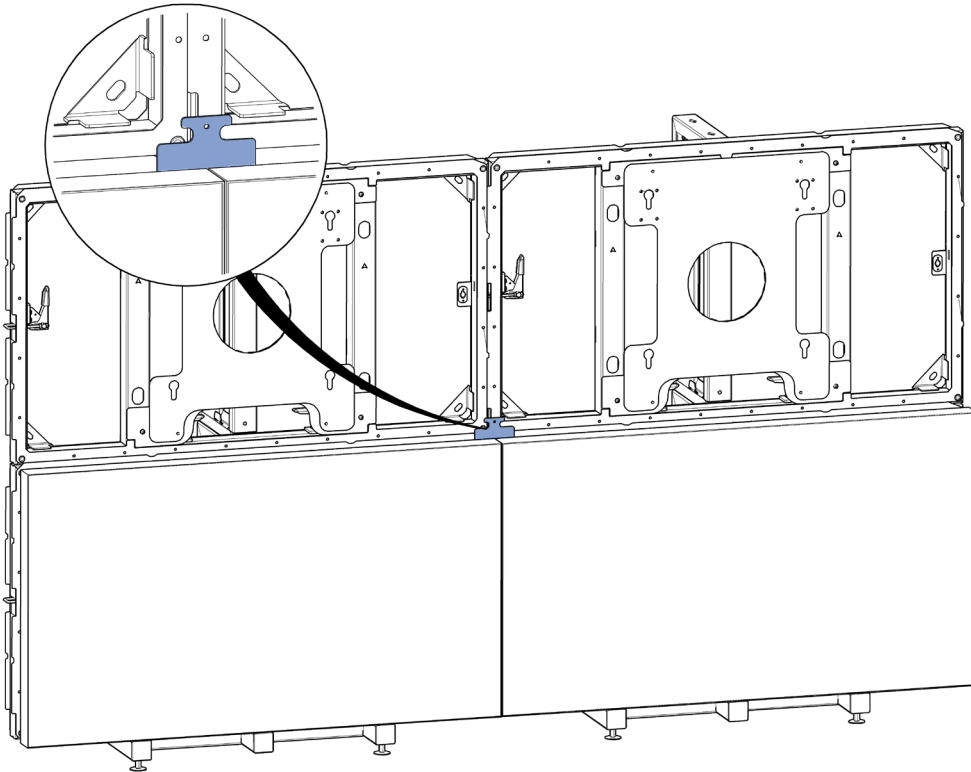
Height adjustment via back side



Height adjustment via front side

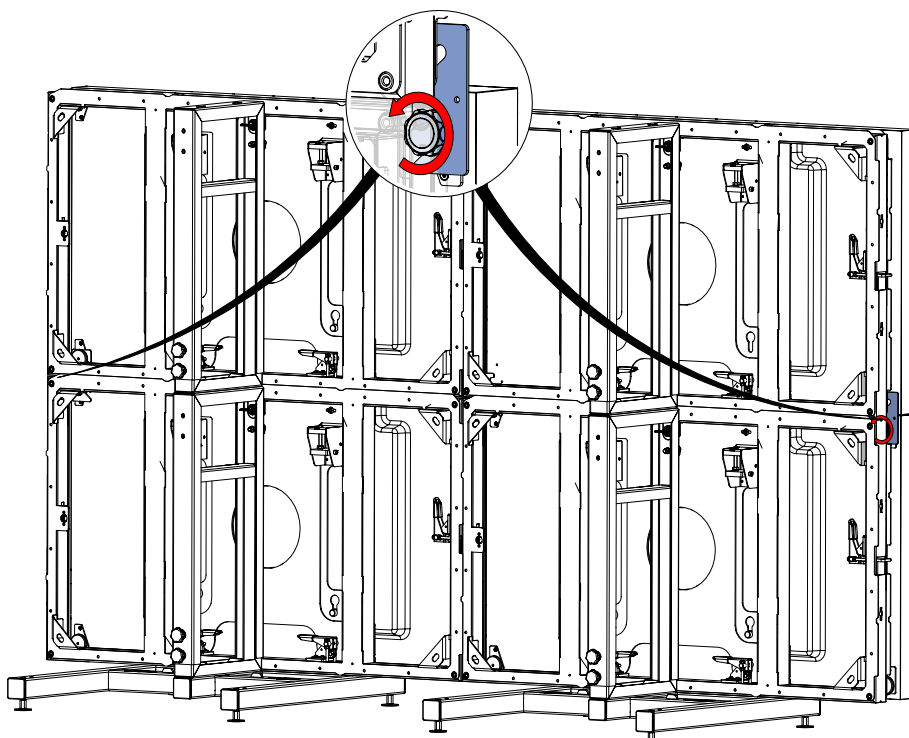
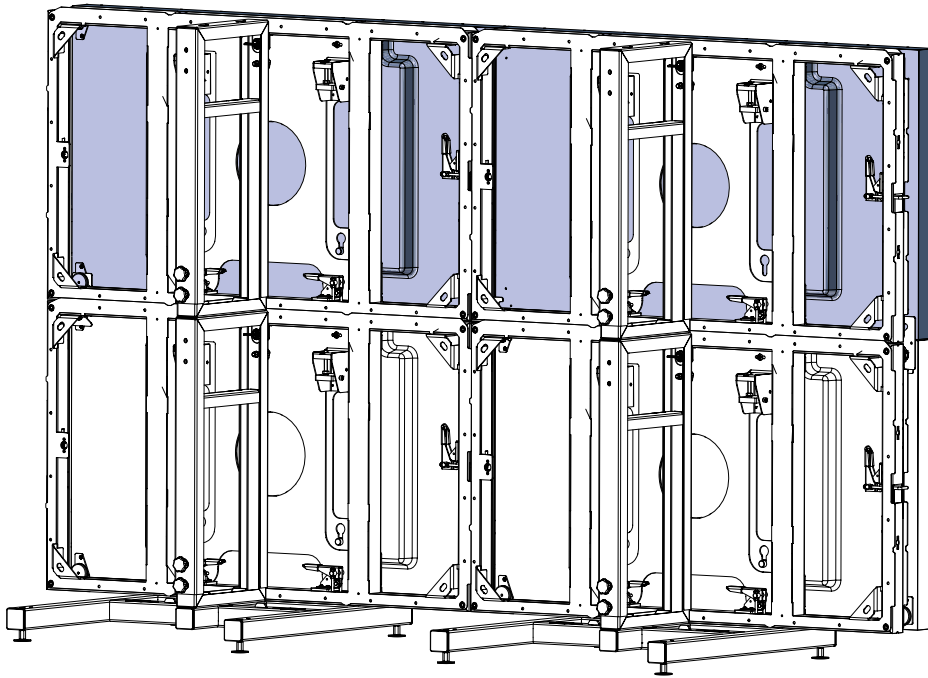
MOUNTING INSTRUCTIONS

LCD SCREEN ASSEMBLY



MOUNTING INSTRUCTIONS

LCD SCREEN ASSEMBLY



MOUNTING INSTRUCTIONS

LCD SCREEN ASSEMBLY

