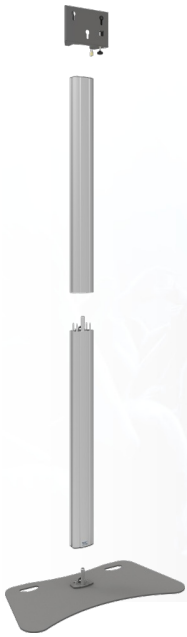


## Divisible stand (Light Series) 225 cm



### **062.8050-225 Fully divisible stand (Light Series) 225 cm for flat panels max. 55 inch, 30 kg**

The SmartMetals light series stands are especially suitable for mounting light weight displays. The solutions are of identical quality as you are used from SmartMetals, but lightweight and especially developed for mounting lighter displays. Due to the stand being divided in 4 parts: the base plate, the column in two parts of 95cm and the stand head, the stand and the screen can be transported compact in a flightcase. Furthermore the screen can be protected from theft by means of a padlock and it can be installed without using any tools. A screen mount with three point coupling bolts should be added, which can be chosen by looking at the weight and mounting pattern of the screen. Now also available in a length of 225cm.

## Divisible stand (Light Series) 225 cm

### Features

**Maximum length:** 2140 mm

**Weight:** 32.00 kg

**Colour:** Dark grey, Aluminium

**Maximum load:** 30 kg

**Screen position:** Landscape, Portrait

**Inch range:** Max. 55 inch

**Mobile / fixed:** Fixed

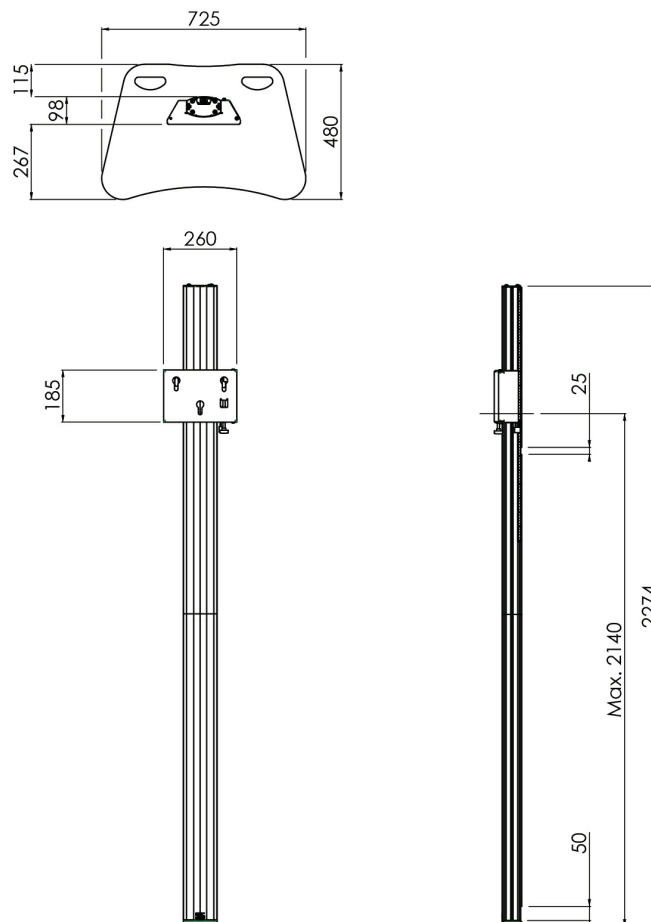
**Height adjustment:** Manual

**Bracket/interface:** Excluded

**Type bracket/interface:** Three-point coupling

**Mounting system:** Three-point coupling

**Cable duct:** 35 x 15 mm Ø



Maximum tipping 10° in combination with 30kg load!